

**MELSOFT**

MR Configurator2 Version1

MODEL

**SW1DND-MRC2-EC**

**INSTALLATION GUIDE**

Thank you for choosing the MELSOFT MR Configurator2.  
To optimize the use of the MR Configurator2, please read over this Installation Guide and the instruction manual of the servo amplifier unit and etc. to be used before using the software. After reading the Installation Guide, always place this Installation Guide in a safe place.

# ● Safety Instructions ●

(Always read these instructions before using the equipment.)

Do not attempt to install, operate, maintain or inspect the servo amplifier and servo motor until you have read through this Installation Guide, and appended documents carefully and can use the equipment correctly. Do not use the servo amplifier and servo motor until you have a full knowledge of the equipment, safety information and instructions.


In this Installation Guide, the safety instruction levels are classified into "WARNING" and "CAUTION".



Indicates that incorrect handling may cause hazardous conditions, resulting in death or severe injury.




Indicates that incorrect handling may cause hazardous conditions, resulting in medium or slight injury to personnel or may cause physical damage.


Note that the  CAUTION level may lead to a serious consequence according to conditions. Please follow the instructions of both levels because they are important to personnel safety.

What must not be done and what must be done are indicated by the following diagrammatic symbols:



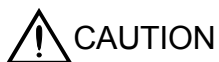
: Indicates what must not be done. For example, "No Fire" is indicated by .



: Indicates what must be done. For example, grounding is indicated by .

In this Installation Guide, instructions at a lower level than the above, instructions for other functions, and so on are classified into "POINT".

After reading this Installation Guide, always keep it accessible to the operator.



▪ Before executing the test mode, always read section 3.1 "Precautions for test mode".

## CONTENTS

<b>1. INTRODUCTION</b>	<b>1- 1 to 1-22</b>
1.1 Specifications .....	1- 1
1.2 System configuration .....	1-10
1.2.1 Components .....	1-10
1.2.2 Configuration .....	1-12
1.3 Basic terms.....	1-16
1.4 Installation procedure.....	1-17
1.5 Automatic device driver software installation .....	1-21
<b>2. HOW TO USE THE SOFTWARE</b>	<b>2- 1 to 2-13</b>
2.1 Operation.....	2- 1
2.1.1 Start-up .....	2- 1
2.1.2 Project.....	2- 3
2.1.3 Servo parameters.....	2- 8
2.2 Commands and display windows .....	2-10
<b>3. PRECAUTIONS</b>	<b>3- 1 to 3- 2</b>
3.1 Precautions for test mode.....	3- 1
3.2 Display language switching .....	3- 2
<b>4. TROUBLESHOOTING</b>	<b>4- 1 to 4- 5</b>

# 1. INTRODUCTION

## 1. INTRODUCTION

### 1.1 Specifications

Using the communication function of the servo amplifier, the MR Configurator2 allows functions, such as parameter setting change, graph, program operation mode and test mode, to be implemented from a personal computer.

When connecting to the servo amplifier (MR-J5 series) \*6

Servo amplifier		MR-J5-A (-RJ)	MR-J5 -G (-RJ/HS) *5 *8	MR-J5 -G (-RJ/HS) N1*5	MR-J5-G -LL	MR-J5(W)-B (-RJ)	MR-J5-B -LL
Communication Method	USB	○	○	○	○	○	○
	RS-422 (RS-232C)	○	○	○	○	○	○
	Ethernet	○	○	○	○	○	○
Parameter	Parameter Setting	○	○	○	○	○	○
	Network Parameter	○	○	○	○	○	○
	Axis Name Setting	○	○	○	○	○	○
	Parameter Converter	○	○	○	○	○	○
Safety	Safety Parameter Setting	○	*7○	*7○	○	○	○
	Change Password	○	*7○	*7○	○	○	○
	Initialize Password	○	*7○	*7○	○	○	○
Positioning-data	Point Table	○	○	○	○	○	○
	Program	○	○	○	○	○	○
	Indirect Addressing	○	○	○	○	○	○
	Cam Data	○	○	○	○	○	○
Monitor	Display All	○	○	○	○	○	○
	I/O Monitor	○	○	○	○	○	○
	Graph	○	○	○	○	○	○
	ABS Data Display	○	○	○	○	○	○
	Object Monitor	○	○	○	○	○	○
Diagnosis	Alarm Display	○	○	○	○	○	○
	Alarm Onset Data	○	○	○	○	○	○
	Drive Recorder	○	○	○	○	○	○
	No Motor Rotation	○	○	○	*11○	○	*11○
	System Configuration	○	○	○	○	○	○
	Life Diagnosis	○	○	○	○	○	○
	Machine Diagnosis	○	○	○	*11○	○	*11○
	Gear Failure Diagnosis	○	○	○	○	○	○
	Encoder Communication Circuit Diagnosis	○	○	○	○	○	○
	Fully Closed Loop Diagnosis	*1○	*1○	*1○	○	*1○	○
Linear Diagnosis	*2○	*2○	*2○	*2○	*2○	○	
Test Mode	JOG Mode	*3○	*3○	*3○	*3○	*3○	○
	Positioning Mode	○	○	○	○	○	○
	Motor-less Operation	*4○	*4○	*4○	*4 *11○	*4○	*11○
	DO Forced Output	○	○	○	○	○	○
	Program Operation	○	○	○	○	○	○
	Single-step Feed	○	○	○	○	○	○
	Homing	○	○	○	○	○	○
	Test Mode Information	○	○	○	○	○	○
Adjustment	One-touch Tuning	○	○	○	*11○	○	*11○
	Tuning	○	○	○	*11○	○	*11○
	Multi-axis Tuning	○	○	○	○	○	○
	Machine Analyzer	○	○	○	*11○	○	*11○
	Advanced Gain Search	○	○	○	○	○	○
Tools	Update Parameter Setting Range	○	○	○	○	○	○
	Machine Unit Conversion Display Setting	○	○	○	○	○	○
	Axis Label Name Settings	○	*10○	*10○	*10○	○	○
	Add-ons	*9○	*9○	*9○	○	○	○

\*1 Only available when operation mode is Fully closed loop control mode.

\*2 Only available when operation mode is Linear servo motor control mode.

\*3 Not available when operation mode is Linear servo motor control mode.

\*4 Only available when operation mode is Standard control mode.

\*5 Switching to multi-axis project available.

\*6 The software reset is supported.

\*7 Only available when it is MR-J5-G-RJ(N1), MR-J5-G-HS(N1), MR-J5W2-G(N1), MR-J5W3-G(N1), MR-J5D1-G(N1), MR-J5D2-G(N1), or MR-J5D3-G(N1).

\*8 MR-J5 -G(-RJ/HS) includes MR-J5-G(-RJ), MR-J5-G-HS, MR-J5W -G, and MR-J5D -G.

\*9 Only available when it is MR-J5-A(-RJ), MR-J5-G(-RJ/HS), MR-J5D1-G, or MR-J5-G(-RJ/HS)N1.

\*10 Only available for multi-axis projects.

\*11 Cannot be used in pressure control mode.

# 1. INTRODUCTION

When connecting to the servo amplifier (MR-JET series) \*6

Servo amplifier		MR-JET-G (-HS)*5	MR-JET-G (-HS)N1*5
Communication Method	USB	○	○
	RS-422 (RS-232C)	<del>○</del>	<del>○</del>
	Ethernet	○	○
Parameter	Parameter Setting	○	○
	Network Parameter	○	○
	Axis Name Setting	<del>○</del>	<del>○</del>
	Parameter Converter	<del>○</del>	<del>○</del>
Safety	Safety Parameter Setting	*8○	*8○
	Change Password	*8○	*8○
	Initialize Password	*8○	*8○
Positioning-data	Point Table	○	○
	Program	<del>○</del>	<del>○</del>
	Indirect Addressing	<del>○</del>	<del>○</del>
	Cam Data	<del>○</del>	<del>○</del>
Monitor	Display All	○	○
	I/O Monitor	○	○
	Graph	○	○
	ABS Data Display	○	○
	Object Monitor	○	○
Diagnosis	Alarm Display	○	○
	Alarm Onset Data	○	○
	Drive Recorder	○	○
	No Motor Rotation	○	○
	System Configuration	○	○
	Life Diagnosis	○	○
	Machine Diagnosis	○	○
	Gear Failure Diagnosis	<del>○</del>	<del>○</del>
	Encoder Communication Circuit Diagnosis	○	○
Fully Closed Loop Diagnosis	*1○	*1○	
Test Mode	Linear Diagnosis	*2○	*2○
	JOG Mode	*3○	*3○
	Positioning Mode	○	○
	Motor-less Operation	*4○	*4○
	DO Forced Output	○	○
	Program Operation	○	○
	Single-step Feed	○	○
	Homing	<del>○</del>	○
Test Mode Information	○	○	
Adjustment	One-touch Tuning	○	○
	Tuning	○	○
	Multi-axis Tuning	<del>○</del>	<del>○</del>
	Machine Analyzer	○	○
	Advanced Gain Search	<del>○</del>	<del>○</del>
Tools	Update Parameter Setting Range	○	○
	Machine Unit Conversion Display Setting	<del>○</del>	<del>○</del>
	Axis Label Name Settings	*7○	*7○
	Add-ons	○	○

\*1 Only available when operation mode is Fully closed loop control mode.

\*2 Only available when operation mode is Linear servo motor control mode.

\*3 Not available when operation mode is Linear servo motor control mode.

\*4 Only available when operation mode is Standard control mode.

\*5 Switching to multi-axis project available.

\*6 The software reset is supported.

\*7 Only available for multi-axis projects.

\*8 Only available when it is MR-JET-G-HS(N1).

# 1. INTRODUCTION

When connecting to the servo amplifier (MR-J4 series)

Servo amplifier		MR-J4-A (-RJ)	MR-J4-B (-RJ)*5 *6	MR-J4-B -LL	MR-J4-B -RJ010	MR-J4-TM	MR-J4-GF (-RJ)*13
Communication Method	USB	○	○	○	○	○	○
	RS-422 (RS-232C)						
	Ethernet						○
Parameter	Parameter Setting	○	○	○	○	○	○
	Network Parameter						
	Axis Name Setting	○					
	Parameter Converter	*4○					*4○
Safety	Safety Parameter Setting	*7*8○	*8*9○			*8○	*8*12○
	Change Password	*7*8○	*8*9○			*8○	*8*12○
	Initialize Password	*7*8○	*8*9○			*8○	*8*12○
Positioning-data	Point Table	*7○					*11○
	Program	*7○					
	Indirect Addressing	*7○					
	Cam Data	*7○					*11○
Monitor	Display All	○	○	○	○	○	○
	I/O Monitor	○	○	○	○	○	○
	Graph	○	○	○	○	○	○
	ABS Data Display	○	○	○	○	○	○
	Object Monitor						
Diagnosis	Alarm Display	○	○	○	○	○	○
	Alarm Onset Data	○	○	○	○	○	○
	Drive Recorder	○	○	○	○	○	○
	No Motor Rotation	○	○	*10○	○	○	○
	System Configuration	○	○	○	○	○	○
	Life Diagnosis	○	○	○	○	○	○
	Machine Diagnosis	○	○	*10○	○	○	○
	Gear Failure Diagnosis						
	Encoder Communication Circuit Diagnosis						
	Fully Closed Loop Diagnosis	*1○	*1○			*1○	*1○
Linear Diagnosis	*2○	*2○			*2○	*2○	
Test Mode	JOG Mode	*3○	*3○	○	○	*3○	*3○
	Positioning Mode	○	○	○	○	○	○
	Motor-less Operation	*4○	*4○		○	*4○	*4○
	DO Forced Output	○	○	○	○	○	○
	Program Operation	○	○	○	○	○	○
	Single-step Feed	*7○					*11○
	Homing						
	Test Mode Information	○	○	○	○	○	○
Adjustment	One-touch Tuning	○	○	*10○	○	○	○
	Tuning	○	○	*10○	○	○	○
	Multi-axis Tuning						
	Machine Analyzer	○	○	*10○	○	○	○
	Advanced Gain Search						
Tools	Update Parameter Setting Range	○	○	○	○	○	○
	Machine Unit Conversion Display Setting		○	○	○		
	Axis Label Name Settings						*14○
	Add-ons						

\*1 Only available when operation mode is Fully closed loop control mode.

\*2 Only available when operation mode is Linear servo motor control mode.

\*3 Not available when operation mode is Linear servo motor control mode.

\*4 Only available when operation mode is Standard control mode.

\*5 The same as MR-J3-B in MR-J3-B compatibility mode.

▪ Standard control mode: MR-J3-B

▪ Fully closed control mode: MR-J3-B-RJ006

▪ Linear servo motor control mode: MR-J3-B-RJ004

▪ DD Motor control mode: MR-J3-B-RJ080V

\*6 The same as MR-J4-B (-RJ) in MR-J3-B extension function (Several restrictions).

Please select the "MR-J3-B extension function" when using as MR-J3-B extension function.

\*7 Only available when it is MR-J4-A-RJ.

\*8 Functional safety unit MR-D30 is necessary.

\*9 Only available when it is MR-J4-B-RJ.

\*10 Cannot be used in pressure control mode.

\*11 Only available when station-specific mode is I/O mode.

\*12 Only available when it is MR-J4-GF-RJ.

\*13 Switching to multi-axis project available.

\*14 Only available for multi-axis projects.

# 1. INTRODUCTION

When connecting to the servo amplifier (MR-JE series)

Servo amplifier		MR-JE-A	MR-JE-B(F)	MR-JE-C*1
Communication Method	USB	○	○	○
	RS-422 (RS-232C)			
	Ethernet			○
Parameter	Parameter Setting	○	○	○
	Network Parameter			
	Axis Name Setting	○		
	Parameter Converter	○		
Safety	Safety Parameter Setting			
	Change Password			
	Initialize Password			
Positioning-data	Point Table	○		○
	Program	○		
	Indirect Addressing	○		
	Cam Data	○		
Monitor	Display All	○	○	○
	I/O Monitor	○	○	○
	Graph	○	○	○
	ABS Data Display		○	○
	Object Monitor			
Diagnosis	Alarm Display	○	○	○
	Alarm Onset Data	○	○	○
	Drive Recorder	○	○	○
	No Motor Rotation	○	○	○
	System Configuration	○	○	○
	Life Diagnosis	○	○	○
	Machine Diagnosis	○	○	○
	Gear Failure Diagnosis			
	Encoder Communication Circuit Diagnosis			
	Fully Closed Loop Diagnosis			
Linear Diagnosis				
Test Mode	JOG Mode	○	○	○
	Positioning Mode	○	○	○
	Motor-less Operation	○	○	○
	DO Forced Output	○	○	○
	Program Operation	○	○	○
	Single-step Feed	○		
	Homing			
	Test Mode Information	○	○	○
Adjustment	One-touch Tuning	○	○	○
	Tuning	○	○	○
	Multi-axis Tuning			
	Machine Analyzer	○	○	○
	Advanced Gain Search			
Tools	Update Parameter Setting Range	○	○	○
	Machine Unit Conversion Display Setting		○	
	Axis Label Name Settings			*2○
	Add-ons			

\*1 Switching to multi-axis project available.

\*2 Only available for multi-axis projects.

# 1. INTRODUCTION

When connecting to the servo amplifier (MR-J3 series/MR-JN-A)

Servo amplifier		MR-J3-A	MR-J3-B	MR-J3-B -RJ006	MR-J3-B -RJ004	MR-J3-B -RJ080W	MR-J3-T	MR-JN-A
Communication Method	USB	○	○	○	○	○	○	○
	RS-422 (RS-232C)	○					○	
	Ethernet							
Parameter	Parameter Setting	○	○	○	○	○	○	○
	Network Parameter							
	Axis Name Setting	○					○	○
	Parameter Converter							
Safety	Safety Parameter Setting							
	Change Password							
	Initialize Password							
Positioning-data	Point Table						○	○
	Program							○
	Indirect Addressing							
	Cam Data							
Monitor	Display All	○	○	○	○	○	○	○
	I/O Monitor	○	○	○	○	○	○	○
	Graph	○	○	○	○	○	○	○
	ABS Data Display	○	○	○	○	○	○	
	Object Monitor							
Diagnosis	Alarm Display	○	○	○	○	○	○	○
	Alarm Onset Data	○	○	○	○	○	○	○
	Drive Recorder							○
	No Motor Rotation	○	○	○	○	○	○	○
	System Configuration	○	○	○	○	○	○	○
	Life Diagnosis	○	○	○	○	○	○	○
	Machine Diagnosis							
	Gear Failure Diagnosis							
	Encoder Communication Circuit Diagnosis							
	Fully Closed Loop Diagnosis			○				
Linear Diagnosis				○				
Test Mode	JOG Mode	○	○	○		○	○	○
	Positioning Mode	○	○	○	○	○	○	○
	Motor-less Operation	○	○	○			○	○
	DO Forced Output	○	○	○	○	○	○	○
	Program Operation	○	○	○	○	○	○	○
	Single-step Feed						○	○
	Homing							
	Test Mode Information	○	○	○	○	○	○	○
Adjustment	One-touch Tuning							
	Tuning	○	○	○	○	○	○	○
	Multi-axis Tuning							
	Machine Analyzer	○	○	○	○	○	○	
	Advanced Gain Search	○	○	○	○		○	
Tools	Update Parameter Setting Range	○	○	○	○	○	○	○
	Machine Unit Conversion Display Setting	○	○	○	○	○	○	○
	Axis Label Name Settings							
	Add-ons							



# 1. INTRODUCTION

When via MT Developer2 (MR-J5 series)

Servo amplifier		MR-J5(W)-B (-RJ)*5	MR-J5-B -LL*6
Communication Method	SSCNET III		
	SSCNET III/H	○	○
Parameter	Parameter Setting	○	○
	Network Parameter		
	Axis Name Setting		
	Parameter Converter	○	
Safety	Safety Parameter Setting		
	Change Password		
	Initialize Password		
Positioning-data	Point Table		
	Program		
	Indirect Addressing		
	Cam Data		
Monitor	Display All	○	○
	I/O Monitor	○	○
	Graph	○	○
	ABS Data Display	○	○
	Object Monitor		
Diagnosis	Alarm Display	○	○
	Alarm Onset Data	○	○
	Drive Recorder	○	○
	No Motor Rotation	○	*7○
	System Configuration	○	○
	Life Diagnosis	○	○
	Machine Diagnosis	○	*7○
	Gear Failure Diagnosis	○	○
	Encoder Communication Circuit Diagnosis	○	○
	Fully Closed Loop Diagnosis	*1○	
Linear Diagnosis	*2○		
Test Mode	JOG Mode	*3○	○
	Positioning Mode	○	○
	Motor-less Operation	*4○	*7○
	DO Forced Output	○	○
	Program Operation	○	○
	Single-step Feed		
	Homing		
	Test Mode Information	○	○
Adjustment	One-touch Tuning	○	*7○
	Tuning	○	*7○
	Multi-axis Tuning	○	
	Machine Analyzer	○	*7○
	Advanced Gain Search		
Tools	Update Parameter Setting Range	○	○
	Machine Unit Conversion Display Setting		
	Axis Label Name Settings		
	Add-ons		

\*1 Only available when operation mode is Fully closed loop control mode.

\*2 Only available when operation mode is Linear servo motor control mode.

\*3 Not available when operation mode is Linear servo motor control mode.

\*4 Only available when operation mode is Standard control mode.

\*5 Available when it is MT Developer2 Version 1.170C or later.

\*6 Available when it is MT Developer2 Version 1.190Y or later.

\*7 Cannot be used in pressure control mode.

# 1. INTRODUCTION

When via MT Developer2 (Except MR-J5 series) \*9

Item		Servo amplifier	MR-J4-B (-RJ)*6 *7	MR-J4-B -LL	MR-JE-B (F)*13	MR-J3-B	MR-J3-B -RJ006	MR-J3-B -RJ004	MR-J3-B -RJ080W	MR- MT1200	MR-MT 2□□□*12
Communication Method	SSCNET III					○	○	○	○	○	
	SSCNET III/H		○	○	○						○
Parameter	Parameter Setting		○	○	○	○	○	○	○	○	○
	Network Parameter										
	Axis Name Setting										
	Parameter Converter										
Safety	Safety Parameter Setting		*8*10○								
	Change Password		*8*10○								
	Initialize Password		*8*10○								
Positioning-data	Point Table										
	Program										
	Indirect Addressing										
	Cam Data										
Monitor	Display All		○	○	○	○	○	○	○		
	I/O Monitor		○	○	○	○	○	○	○		
	Graph		○	○	○	○	○	○	○		
	ABS Data Display		○	○	○	○	○	○	○		
	Object Monitor										
Diagnosis	Alarm Display		○	○	○	○	○	○	○	○	○
	Alarm Onset Data		○	○	○	○	○	○	○		
	Drive Recorder		○	○	○						
	No Motor Rotation		○	*11○	○	○	○	○	○		
	System Configuration		○	○	○	○	○	○	○	○	○
	Life Diagnosis		○	○	○	○	○	○	○		
	Machine Diagnosis		○	*11○	○						
	Gear Failure Diagnosis										
	Encoder Communication Circuit Diagnosis										
	Fully Closed Loop Diagnosis		*1○				○				
Test Mode	Linear Diagnosis		*2○					○			
	JOG Mode		*3○	○	○	*5○	*5○		*5○		
	Positioning Mode		○	○	○	*5○	*5○	*5○	*5○		
	Motor-less Operation		*4○		○	○	○	○	○		
	DO Forced Output		○	○	○	○	○	○	○		
	Program Operation		○	○	○	*5○	*5○	*5○	*5○		
	Single-step Feed										
	Homing										
Adjustment	Test Mode Information		○	○	○	*5○	*5○	*5○	*5○		
	One-touch Tuning		○	*11○	○						
	Tuning		○	*11○	○	○	○	○	○		
	Multi-axis Tuning		○								
	Machine Analyzer		○	*11○	○	*5○	*5○	*5○	*5○		
Tools	Advanced Gain Search					○	○	○	○		
	Update Parameter Setting Range		○	○	○	○	○	○	○		
	Machine Unit Conversion										
	Display Setting										
	Axis Label Name Settings										
	Add-ons										

\*1 Only available when operation mode is Fully closed loop control mode.

\*2 Only available when operation mode is Linear servo motor control mode.

\*3 Not available when operation mode is Linear servo motor control mode.

\*4 Only available when operation mode is Standard control mode.

\*5 Not available for Q17[H].

\*6 The same as MR-J3-B in MR-J3-B compatibility mode.

▪ Standard control mode: MR-J3-B

▪ Linear servo motor control mode: MR-J3-B-RJ004

▪ Fully closed control mode: MR-J3-B-RJ006

▪ DD Motor control mode: MR-J3-B-RJ080W

\*7 Can not be used as MR-J3-B extension function.

Please select the "MR-J3-B" series from controller when connecting to MR-J3-B extension function.

\*8 Functional safety unit MR-D30 is necessary.

\*9 Each function of MR Configurator2 will be used as MT Developer2 function in MT Developer2 Version 1.100E or later.

\*10 Only available when it is MR-J4-B-RJ.

\*11 Cannot be used in pressure control mode.

\*12 Available when it is MT Developer2 Version 1.128J or later.

\*13 Available when it is MT Developer2 Version 1.187V or later.

# 1. INTRODUCTION

When via GX Works2/GX Works3 (MR-J5 series/MR-JET series) \*2 \*3

Servo amplifier		MR-J5 -G (-RJ/HS)*1 *4	MR-J5-G -LL*10	MR-J5(W)-B (-RJ)*5	MR-JET-G*1
Communication Method	SSCNET III				
	SSCNET III/H			○	
	CC-Link IE Field				
	CC-Link IE TSN	○	○		○
Parameter	Parameter Setting	○	○	○	○
	Network Parameter	○	○		○
	Axis Name Setting				
	Parameter Converter	○		○	
Safety	Safety Parameter Setting				
	Change Password				
	Initialize Password				
Positioning-data	Point Table				
	Program				
	Indirect Addressing				
	Cam Data				
Monitor	Display All			○	
	I/O Monitor			○	
	Graph			○	
	ABS Data Display			○	
	Object Monitor				
Diagnosis	Alarm Display			○	
	Alarm Onset Data			○	
	Drive Recorder			○	
	No Motor Rotation			○	
	System Configuration			○	
	Life Diagnosis			○	
	Machine Diagnosis			○	
	Gear Failure Diagnosis			○	
	Encoder Communication Circuit Diagnosis			○	
	Fully Closed Loop Diagnosis			*6○	
Linear Diagnosis			*7○		
Test Mode	JOG Mode			*8○	
	Positioning Mode			○	
	Motor-less Operation			*9○	
	DO Forced Output			○	
	Program Operation			○	
	Single-step Feed				
	Homing				
	Test Mode Information			○	
Adjustment	One-touch Tuning			○	
	Tuning			○	
	Multi-axis Tuning			○	
	Machine Analyzer			○	
	Advanced Gain Search				
Tools	Update Parameter Setting Range			○	
	Machine Unit Conversion Display Setting				
	Axis Label Name Settings				
	Add-ons				

\*1 Available when it is GX Works3 Version 1.055H or later. However, MR-J5D\_-G is available in GX Works3 Version 1.077F or later and MR-J5-G-HS is available in GX Works3 Version 1.105K or later.

\*2 The software reset is supported.

\*3 Including Setting/monitoring tools for the C Controller module/CW Configurator/CC-Link IE TSN Configurator.

\*4 MR-J5\_-G(-RJ/HS) includes MR-J5-G(-RJ), MR-J5-G-HS, MR-J5W\_-G, and MR-J5D\_-G.

\*5 Available when it is GX Works2 Version 1.610L or later.

\*6 Only available when operation mode is Fully closed loop control mode.

\*7 Only available when operation mode is Linear servo motor control mode.

\*8 Not available when operation mode is Linear servo motor control mode.

\*9 Only available when operation mode is Standard control mode.

\*10 MR-J5-G-LL is available in GX Works3 Version 1.110Q or later.

# 1. INTRODUCTION

When via GX Works2/GX Works3 (Except MR-J5 series) \*9 \*13

Servo amplifier		MR-J4 -B(-RJ) *6 *7	MR-J4 -B -RJ010	MR-J4 -GF(-RJ) *11	MR-JE -B(F)	MR-J3 -B	MR-J3 -B -RJ006	MR-J3 -B -RJ004	MR-J3 -B -RJ080W	MR- MT1200
Communication Method	SSCNET III					○	○	○	○	○
	SSCNET III/H	○								
	CC-Link IE Field		○	○						
	CC-Link IE TSN									
Parameter	Parameter Setting	○	○	○	○	*5○	*5○	*5○	*5○	*5○
	Network Parameter									
	Axis Name Setting									
	Parameter Converter									
Safety	Safety Parameter Setting	*8*10○		*8*14 *15○						
	Change Password	*8*10○		*8*14 *15○						
	Initialize Password	*8*10○		*8*14 *15○						
Positioning-data	Point Table			*12○						
	Program									
	Indirect Addressing									
	Cam Data			*12*15○						
Monitor	Display All	○	○	○	○	○	○	○	○	
	I/O Monitor	○	○	○	○	○	○	○	○	
	Graph	○	○	○	○	○	○	○	○	
	ABS Data Display	○	○	○	○	○	○	○	○	
	Object Monitor									
Diagnosis	Alarm Display	○	○	○	○	○	○	○	○	○
	Alarm Onset Data	○	○	○	○	○	○	○	○	
	Drive Recorder	○	○	○	○					
	No Motor Rotation	○	○	○	○	○	○	○	○	
	System Configuration	○	○	○	○	○	○	○	○	○
	Life Diagnosis	○	○	○	○	○	○	○	○	
	Machine Diagnosis	○	○	○	○					
	Gear Failure Diagnosis									
	Encoder Communication									
	Circuit Diagnosis									
Test Mode	Fully Closed Loop Diagnosis	*1○		*1○			○			
	Linear Diagnosis	*2○		*2○				○		
	JOG Mode	*3○	○	*3○	○					
	Positioning Mode	○	○	○	○					
	Motor-less Operation	*4○	○	*4○	○	○	○	○	○	
	DO Forced Output	○	○	○	○	○	○	○	○	
	Program Operation	○	○	○	○					
Adjustment	Single-step Feed			*12○						
	Homing									
	Test Mode Information	○	○	○	○	○	○	○	○	
	One-touch Tuning	○	○	○	○					
	Tuning	○	○	○	○					
Tools	Multi-axis Tuning	○								
	Machine Analyzer	○	○	○	○					
	Advanced Gain Search									
	Update Parameter Setting Range	○	○	○	○	○	○	○	○	
	Machine Unit Conversion	○	○		○	○	○	○	○	
Add-ons	Display Setting									
	Axis Label Name Settings									

\*1 Only available when operation mode is Fully closed loop control mode.

\*2 Only available when operation mode is Linear servo motor control mode.

\*3 Not available when operation mode is Linear servo motor control mode.

\*4 Only available when operation mode is Standard control mode.

\*5 Not available for online setting in LD77MH[. Please read/write parameters using GX Works2.

\*6 The same as MR-J3-B in MR-J3-B compatibility mode.

▪ Standard control mode: MR-J3-B

▪ Fully closed control mode: MR-J3-B-RJ006

▪ Linear servo motor control mode: MR-J3-B-RJ004

▪ DD Motor control mode: MR-J3-B-RJ080W

\*7 Can not be used as MR-J3-B extension function.

Please select the "MR-J3-B" series from controller when connecting to MR-J3-B extension function.

\*8 Functional safety unit MR-D30 is necessary.

\*9 Each function of MR Configurator2 will be used as GX Works2 function in GX Works2 Version 1.521T or later and GX Works3 function in GX Works3.

\*10 Only available when it is MR-J4-B-RJ.

\*11 Available when it is GX Works3 Version 1.022Y or later.

\*12 Only available when station-specific mode is I/O mode.

\*13 The setting/monitoring tool for C language controller and CW Configurator are also included.

\*14 Only available when it is MR-J4-GF-RJ.

\*15 Available when it is GX Works3 Version 1.030G or later.

# 1. INTRODUCTION

## 1.2 System configuration

### 1.2.1 Components

To use the MR Configurator2, the following components are required in addition to the servo amplifier and servo motor. Configure the system according to the Installation Guide of each equipment.

See the notes below as well.

Equipment		Description
Personal computer	OS	Microsoft® Windows® 11 Education Microsoft® Windows® 11 Enterprise Microsoft® Windows® 11 Pro Microsoft® Windows® 11 Home Microsoft® Windows® 10 Education Microsoft® Windows® 10 Enterprise Microsoft® Windows® 10 Pro Microsoft® Windows® 10 Home Microsoft® Windows® 10 IoT Enterprise 2019 LTSC *1 Microsoft® Windows® 10 IoT Enterprise 2016 LTSB *1
	CPU	Windows 11 2 or more cores on a compatible 64-bit processor or System on a Chip (SoC) Other than Windows 11 Desktop PC: Intel® Celeron® Processor 2.8 GHz or higher Laptop PC : Intel® Pentium® M Processor 1.7 GHz or higher
	Memory	Windows 11 4 GB or more recommended (For 64-bit edition) Other than Windows 11 1 GB or more recommended (For 32-bit edition) 2 GB or more recommended (For 64-bit edition)
	Hard Disk	1.5 GB or more of free space
Browser		Internet Explorer 8.0 or more
Display		One whose resolution is 1024 × 768 or more and that can provide a high color (16 bit) display. Connectable with the above personal computer.
Keyboard		Connectable with the above personal computer.
Mouse		Connectable with the above personal computer.
Printer		Connectable with the above personal computer.
USB cable		MR-J3USBCBL3M
Ethernet cable		Cable type: Category 5e or higher, (STP) straight cable Standard : IEEE802.3 1000BASE-T or ANSI/TIA/EIA-568-B (Higher than Category 5e) Connector: RJ-45 connector with shield

\*1: Only the 64-bit edition is supported.

# 1. INTRODUCTION

---

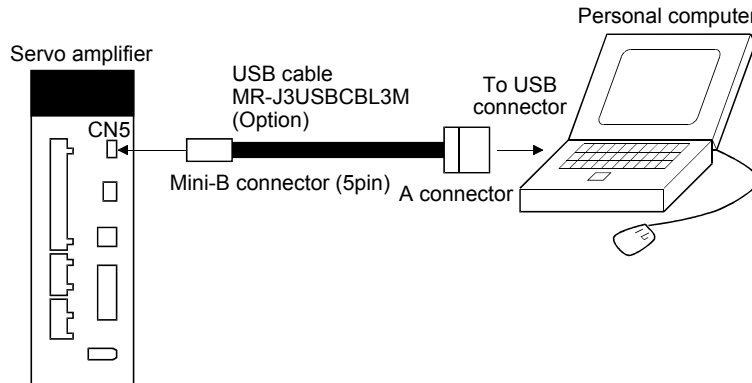
Notes
<p>(1) If .NET Framework 3.5 (including .NET 2.0 and 3.0) has been disabled, it is necessary to enable it.</p> <p>(2) Please use the product as "Standard User" or "Administrator".</p> <p>(3) If any of the following functions is used, this product may not operate normally:</p> <ul style="list-style-type: none"><li>▪ Start of application in Windows® compatible mode</li><li>▪ Fast user switching</li><li>▪ Remote desktop</li><li>▪ Windows XP Mode</li><li>▪ Windows Touch or Touch</li><li>▪ Modern UI</li><li>▪ Client Hyper-V</li><li>▪ Tablet Mode</li><li>▪ Virtual desktop</li><li>▪ High Contrast Mode</li><li>▪ Unified Write Filter</li><li>▪ Text cursor indicator</li></ul> <p>(4) The screens of this product may not operate normally in the following occasions:</p> <ul style="list-style-type: none"><li>▪ The size of text and other items on the screen is other than 100% (96DPI, 9pt, etc.)</li><li>▪ Changed the resolution of the screen during operating</li><li>▪ Multi-display is set</li></ul> <p>(5) Surrogate pair characters and environment dependent characters are not available.</p>

# 1. INTRODUCTION

## 1.2.2 Configuration

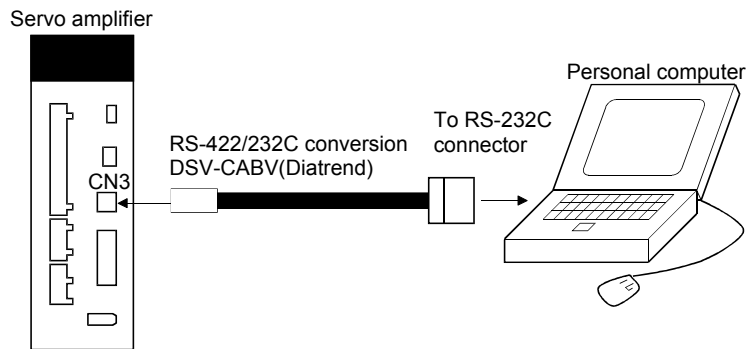
### (1) For use of USB

Run/operate the servo amplifier of axis 1. As the USB cable, use the optional MR-J3USBCBL3M.



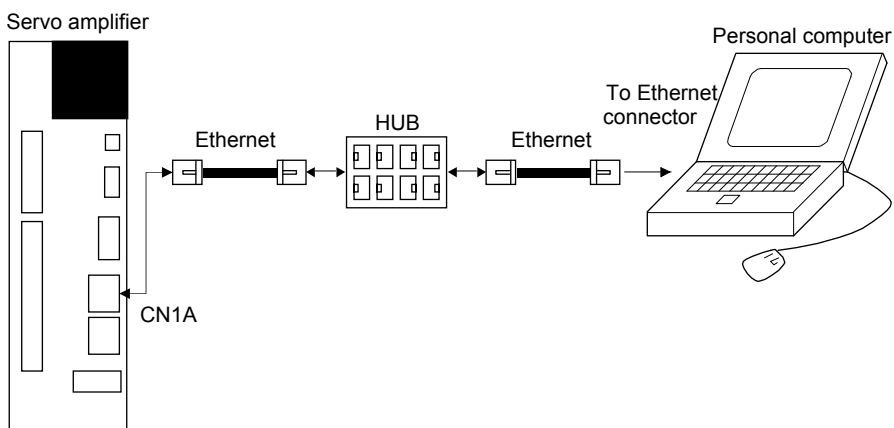
### (2) For use of RS-422

Run/operate the servo amplifier of axis 1. It is recommended to use the following cable.

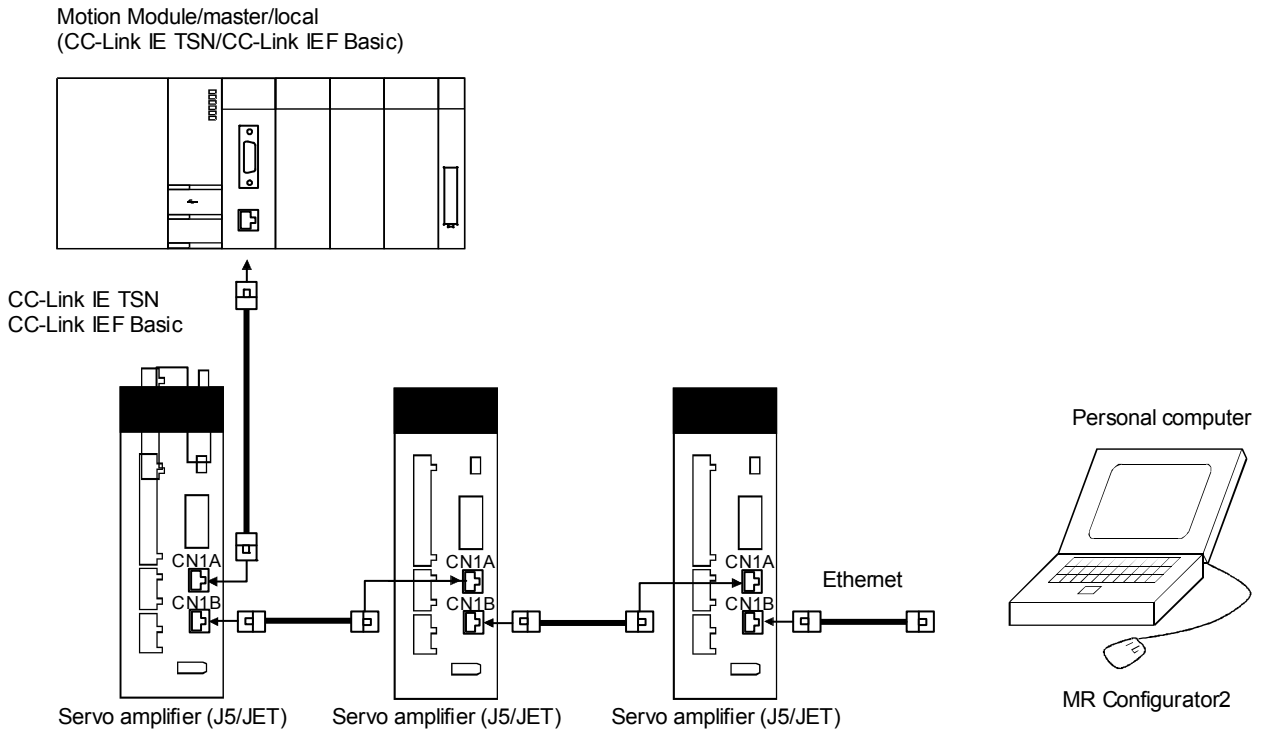


### (3) For use of Ethernet

Run/operate the servo amplifiers of multiple axes.



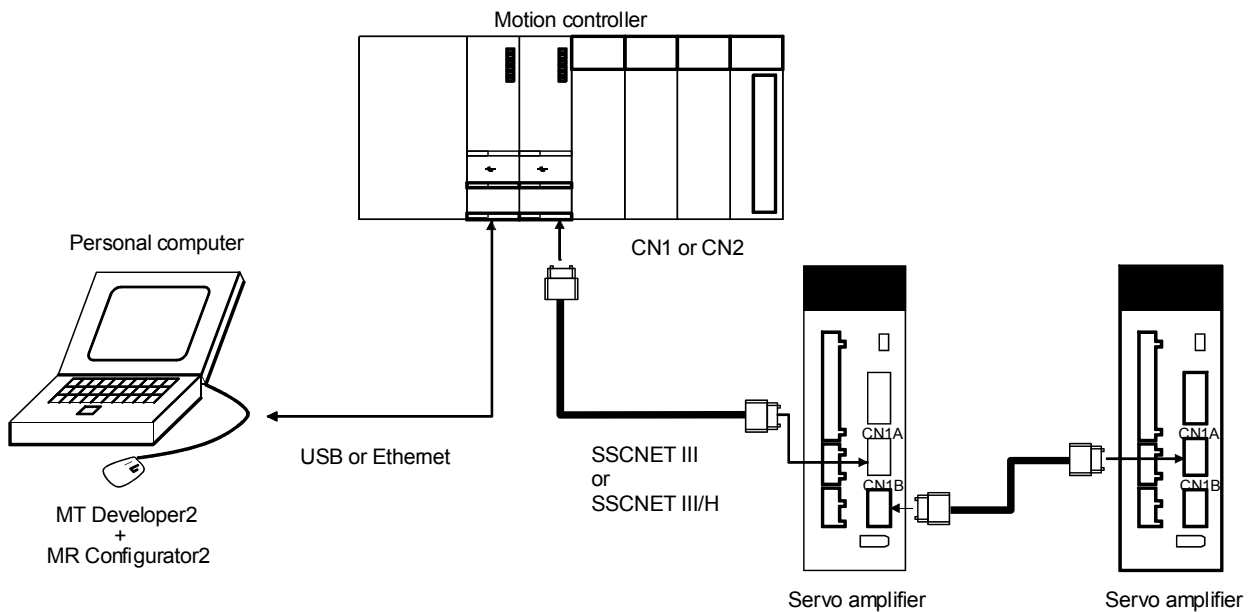
# 1. INTRODUCTION



## (4) For setting up via MT Developer2

When controlling several servo amplifiers via a motion controller, start MR Configurator2 from MT Developer2 \*1, and communicate through the following way.

- \*1 Each function of MR Configurator2 will be used as MT Developer2 function in MT Developer2 Version 1.100E or later.  
MR Configurator2 cannot be started in the MT Developer2 before Version 1.100E.





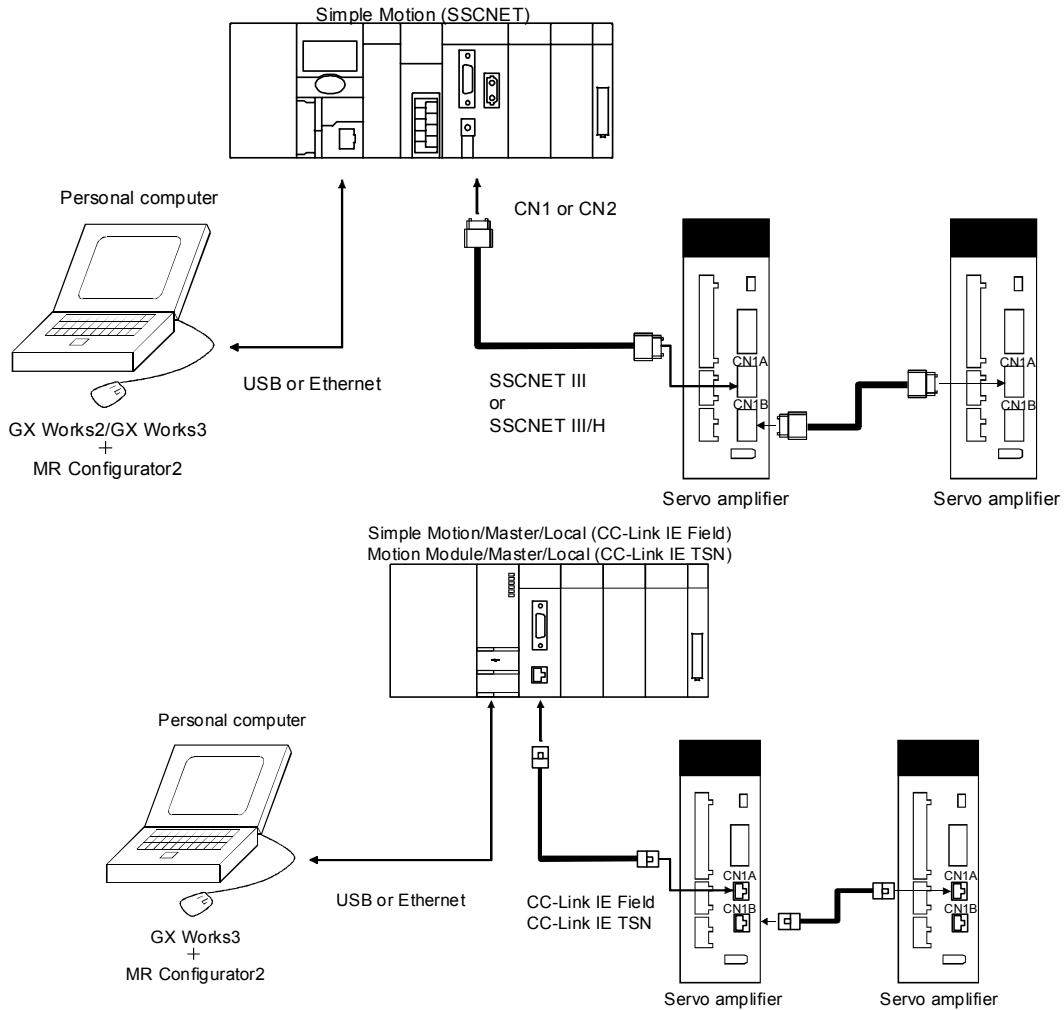
# 1. INTRODUCTION

## (5) For setting up via GX Works2/GX Works3 \*2

When controlling several servo amplifiers via a simple motion module, motion module, or master/local module, start MR Configurator2 from GX Works2/GX Works3 \*3, and communicate through the following ways.

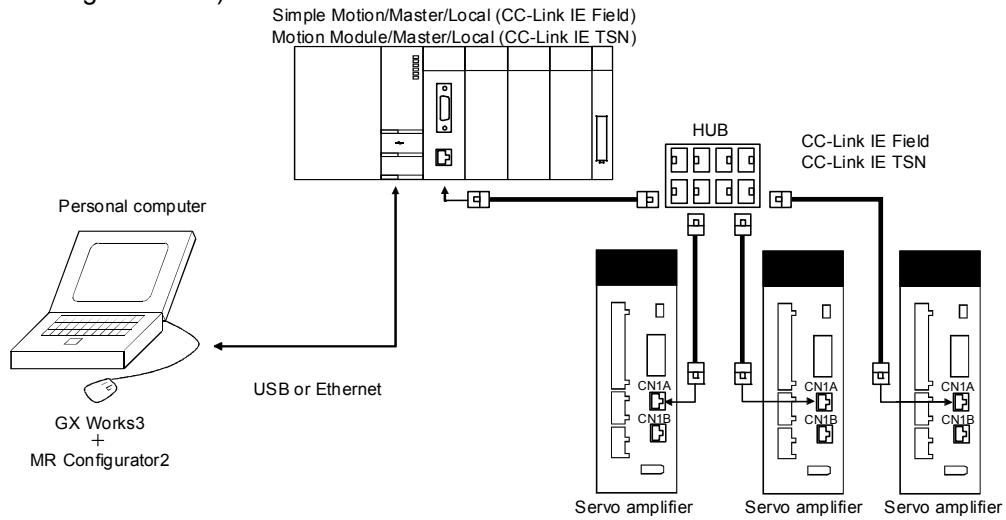
\*2 Including Setting/monitoring tools for the C Controller module/CW Configurator.

\*3 Each function of MR Configurator2 will be used as GX Works2 function in GX Works2 Version 1.521T or later and as GX Works3 function in GX Works3.  
MR Configurator2 cannot be started in the GX Works2 before Version 1.521T.



# 1. INTRODUCTION

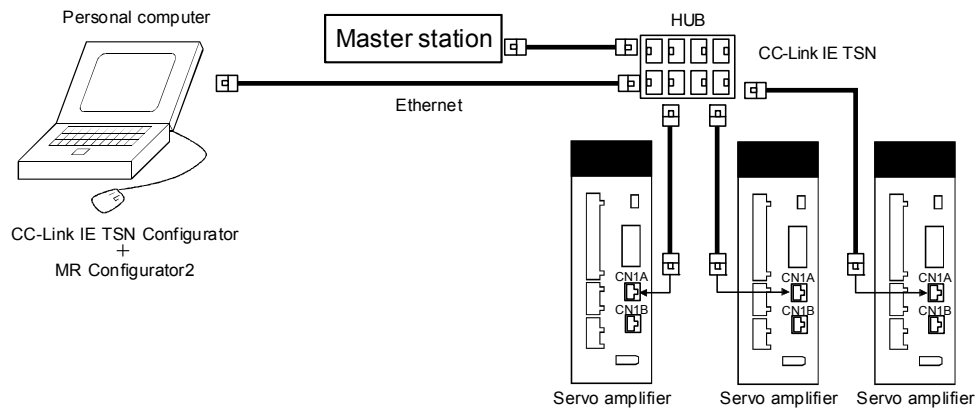
(When connecting with HUB)



## (6) For setting up via CC-Link IE TSN Configurator

When controlling several servo amplifiers from the master station via a HUB, start MR Configurator2 from CC-Link IE TSN Configurator \*4, and communicate through the following way.

\*4 MR Configurator2 cannot be started in the CC-Link IE TSN Configurator before Version 1.003D.



# 1. INTRODUCTION

---

## 1.3 Basic terms

### 1) Mouse pointer

An on-screen arrow which moves with movements of the mouse.

### 2) Point

To move the mouse pointer to a particular item or position on the screen.

### 3) Click

To press and release the left button of the mouse once.

### 4) Double-click

To press and release the left button of the mouse twice.

### 5) Drag

To hold down the left button of the mouse and move the mouse.

### 6) Focus

Highlights characters, button or the like when the menu or button is ready to accept an input from the keyboard.

### 7) Text box

Box used to enter characters.

### 8) List box

Box used to select one of several items.



### 9) Combo box

Box used to select one of several items.



### 10) Check box

Box used to select one or more of several items. When a choice is made a mark appears in the box.

### 11) Option button

Button used to select only one of several items. When a choice is changed  moves to a new choice.

# 1. INTRODUCTION

---

## 1.4 Installation procedure

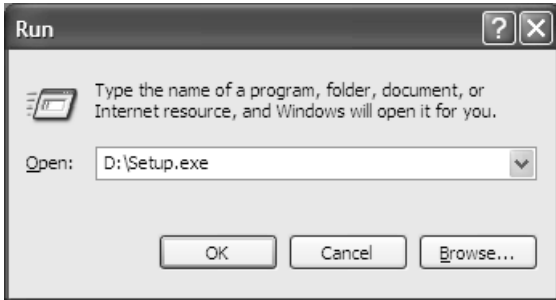
Perform installation with the administrator authority (computer administrator authority).

Herein, the hard disk drive of the personal computer is explained as C and the disc drive as D.

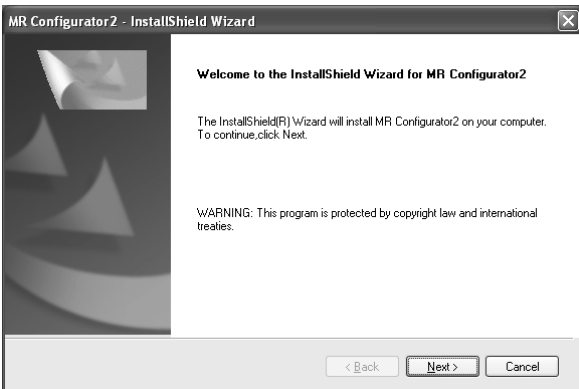
Before executing this program, be sure to close all other Windows programs.

It is necessary to enable .NET Framework 3.5 (including .NET 2.0 and 3.0) on the personal computer when it is disabled.

- 1) Insert the disc into Drive D (disc drive). Then, click the "Start" button on the task bar to open the menu, and click "RUN". When the left window as shown on the left appeared, enter "D:\Setup.exe" and click the "OK" button.



- 2) After the above window, the left window appears. Click the "Next" button.

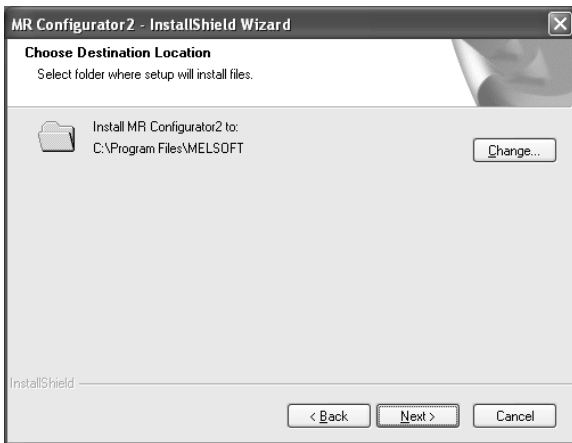


- 3) After the Setup status screen, the User information screen appears. Enter the user name and company name. Also, enter the product ID on the license agreement which was provided with the product in single-byte alphanumeric characters, and click the "Next" button.



# 1. INTRODUCTION

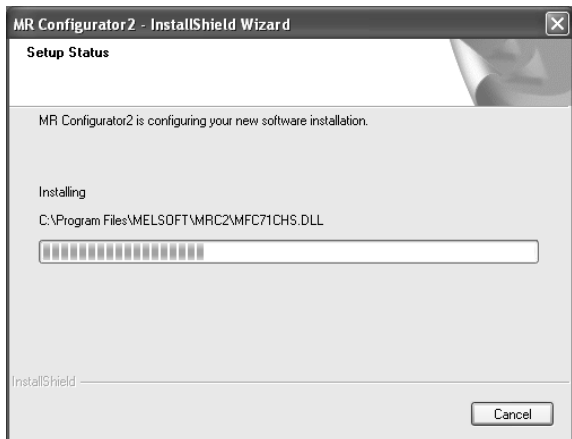
- 4) The Select installation destination screen appears. Specify the installation destination, and click the "Next" button. This starts installation.



- 5) Information for starting the program file copy is displayed. Click the "Next" button to start the installation.



- 6) The Setup status screen appears.



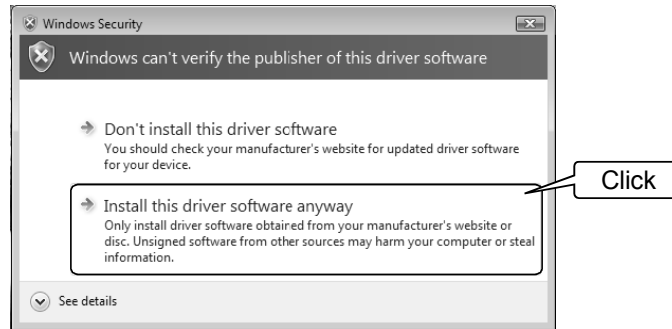
# 1. INTRODUCTION

7) The driver installation window appears.



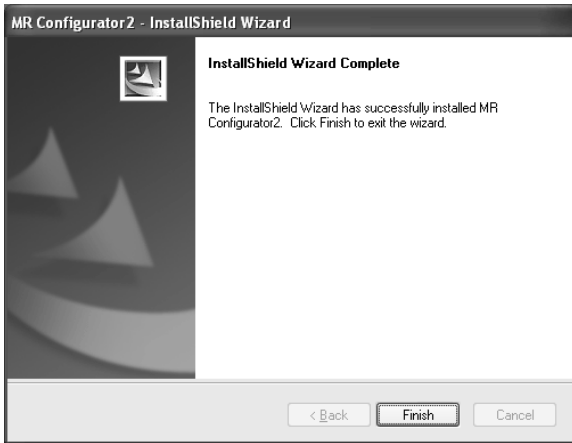
## POINT

- Either of the security warning screens shown below appears. Select "Install this driver software anyway" or click the "Install" button. (The screens do not appear after the USB driver is registered.)



- If the driver is not installed, communication may be partly interrupted. In this case, reinstall MR Configurator2.

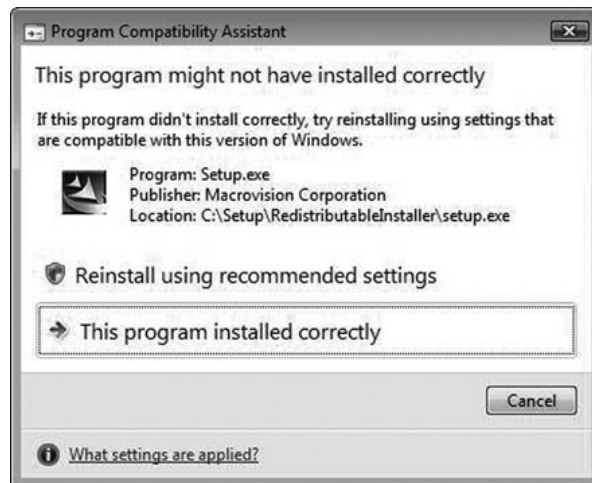
# 1. INTRODUCTION



- 8) When installation is completed, the next screen appears. Click the "Finish" button to end the setup. When restart message appears, starting again to use MR Configurator2. The register of start menu changes from "MELSOFT Application" to "MELSOFT" in Ver. 1.45X.

## POINT

- In the corresponding window, to stop installation, click the "Cancel" button.
- If an overwrite install has been done to upgrade the version of MR Configurator2, the following message may be displayed. In this case, select "This program installed correctly".



## 1. INTRODUCTION

---

### 1.5 Automatic device driver software installation

Device driver software is automatically installed when the servo amplifier powered on is connected with the personal computer via USB for the first time.





## 2. HOW TO USE THE SOFTWARE

---

### 2. HOW TO USE THE SOFTWARE

#### 2.1 Operation

The method of selecting the command is the operation procedures using the mouse.  
Unavailable commands are grayed out.

##### 2.1.1 Start-up

- (1) When connecting to the servo amplifier  
Click "MR Configurator2" on the desktop.
- (2) When connecting to the servo amplifiers of multiple axes via Ethernet or Bus connection (via HUB)  
Click "MR Configurator2" on the desktop.
- (3) When operating via motion controller (Before MT Developer2 Version 1.100E)  
Double-click the "Servo Parameter" icon of the Motion controller programming software MT Developer2.
- (4) When operating via simple motion module (Before GX Works2 Version 1.521T)  
Double-click the "Servo Parameter" icon of the simple motion module programming software tool, which is integrated in the PLC programming software GX Works2.
- (5) When operating via motion controller (MT Developer2 Version 1.100E or later)  
Each function of MR Configurator2 will be used as MT Developer2 function. Refer to the "Operating Servo Amplifier" of MT Developer2 HELP when using each function of MR Configurator2.
- (6) When operating via SSCNET III/H compatible simple motion module (GX Works2 Version 1.521T or later and GX Works3)  
Each function of MR Configurator2 will be used as GX Works2 and GX Works3 function. Refer to the "Servo Amplifier Operation" in Simple Motion Setting Tool HELP of GX Works2/GX Works3 when using each function of MR Configurator2.
- (7) When operating from the CC-Link IE Field Configuration screen of GX Works3 via CC-Link IE Field \*1  
From the [Navigation window] of GX Works3, select [Parameter] → [Module Information] → Target module → [Basic Settings] → [Network Configuration Settings] → <Detailed Setting> to open the CC-Link IE Field Configuration screen.  
In the CC-Link IE Field Configuration screen, set up servo amplifier model manufactured by Mitsubishi Electric, and then double-click the "servo amplifier" icon.

\*1 Including Setting/monitoring tools for the C Controller module/CW Configurator.

## 2. HOW TO USE THE SOFTWARE

---

- (8) When operating from the CC-Link IE TSN Configuration screen of GX Works3 via CC-Link IE TSN \*1  
From the [Navigation window] of GX Works3, select [Parameter] → [Module Information] → Target module → [Basic Settings] → [Network Configuration Settings] → <Detailed Setting> to open the CC-Link IE TSN Configuration screen.

In the CC-Link IE TSN Configuration screen, set up servo amplifier model manufactured by Mitsubishi Electric, and then double-click the "servo amplifier" icon.

\*1 Including Setting/monitoring tools for the C Controller module/CW Configurator.

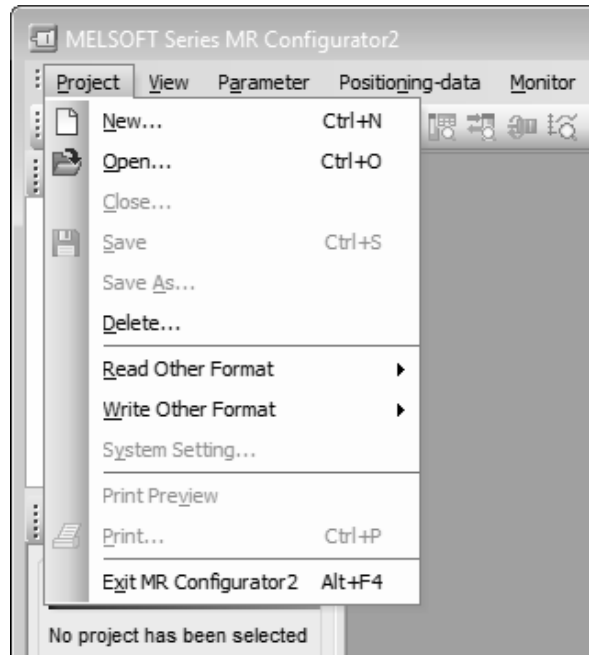
- (9) When operating from the CC-Link IE TSN Configuration screen of CC-Link IE TSN Configurator via CC-Link IE TSN  
From the [Navigation window] of CC-Link IE TSN Configurator, select [Network] → [Master Station] → [Network Configuration Settings], and then double-click the "servo amplifier" icon.

## 2. HOW TO USE THE SOFTWARE

### 2.1.2 Project

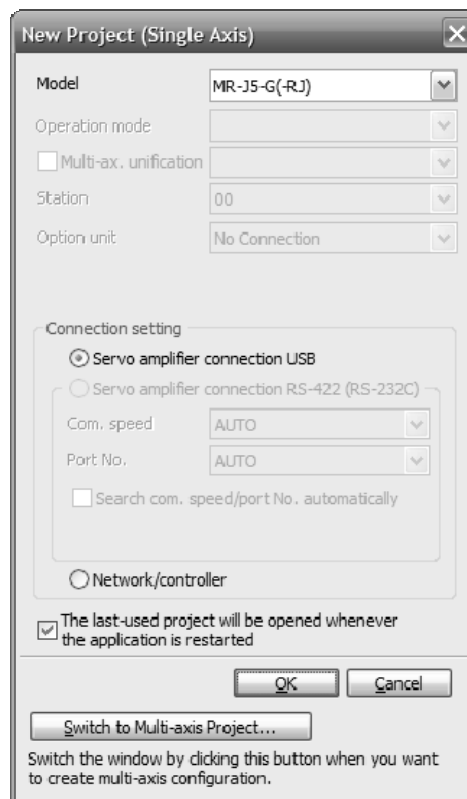
#### (1) New

Clicking "Project" on the menu bar displays the following menu.



Clicking "New" in the sub menu displays the following window.

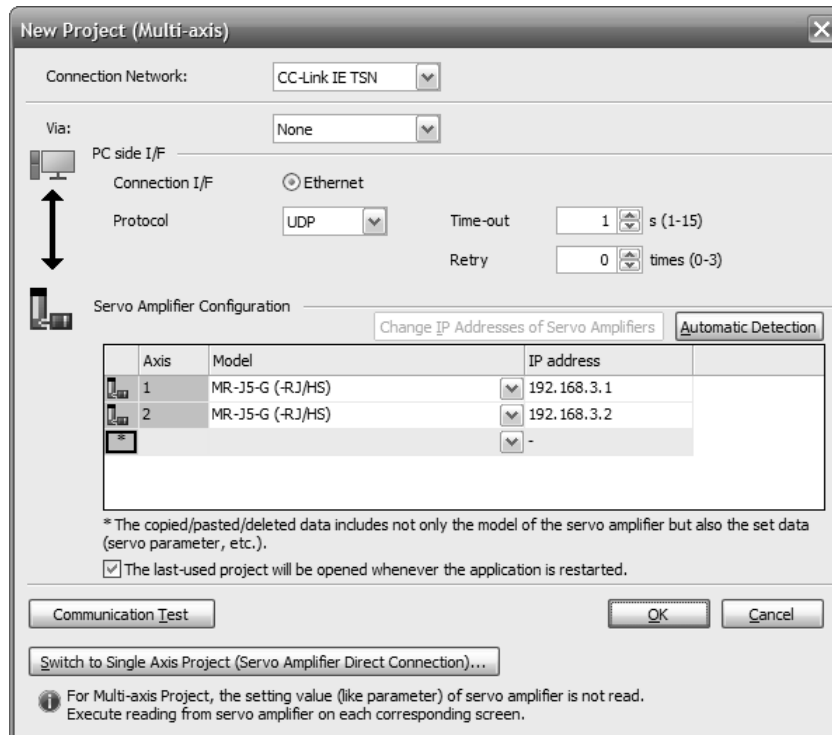
#### (a) When a single axis project is used



To connect via network, please select "Switch to Multi-axis Project".

## 2. HOW TO USE THE SOFTWARE

(b) When a multi-axis project is used \*1, \*2



\*1 When using the EtherNet/IP protocol, you can change IP addresses of servo amplifiers at once with the Change IP Addresses of Servo Amplifiers function. Set up them before creating the project.

\*2 When using motion software, etc. and MR Configurator2 on the same PC at the same time, set communication retry ("Retry" under "PC side I/F") to 1 or more as a measure against packet loss. Adjust the setting value according to your environment.

### 1) Manually configuring settings

Select models and configure connection settings manually, and click the "OK" button.

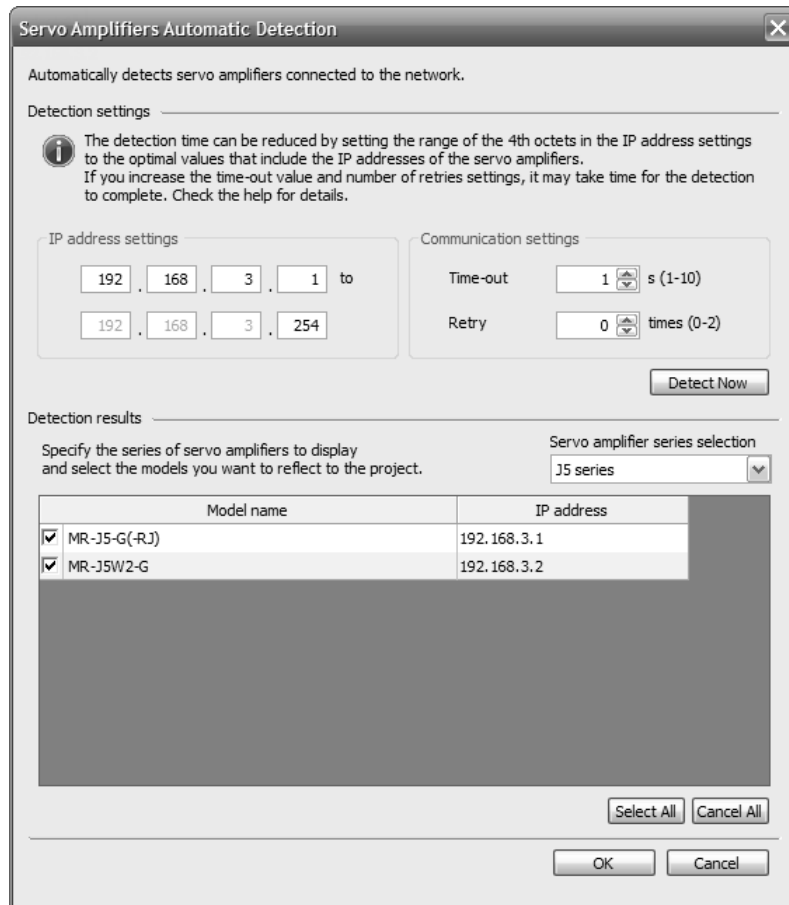
### 2) Configuring settings using automatic detection

Detect servo amplifiers connected to the network to automatically set the servo amplifier configuration.

It may not be available depending on the setting of "Connection Network". It can only be used when the device to connect via is "None".

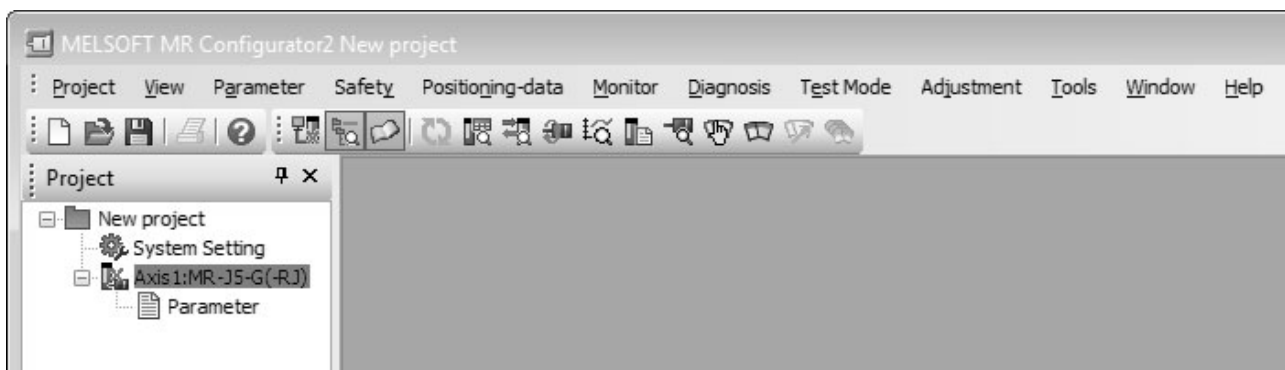
1. Click the "Automatic Detection" button to open the Servo Amplifiers Automatic Detection screen.
2. In "IP address settings" under "Detection settings", specify the target range for automatic detection.
3. Click the "Detect Now" button and wait until the detection is done.
4. Detected servo amplifier models and their IP addresses are displayed under "Detection results".

## 2. HOW TO USE THE SOFTWARE



5. By using model selection checkboxes, you can select the models you want to reflect to the servo amplifier configuration.
6. Click the "OK" button to reflect selected models to the servo amplifier configuration of the project.

After the model selection and connection settings are done, clicking "OK" button displays the following window.



- (2) Open  
Read the input information from the saved file.  
Clicking "Open" in the sub menu opens a window, where you can specify the project.
- (3) Close  
Close the currently open project.  
Clicking "Close" in the sub menu closes the project.

## 2. HOW TO USE THE SOFTWARE

---

### (4) Save

Modify and save the currently open project.

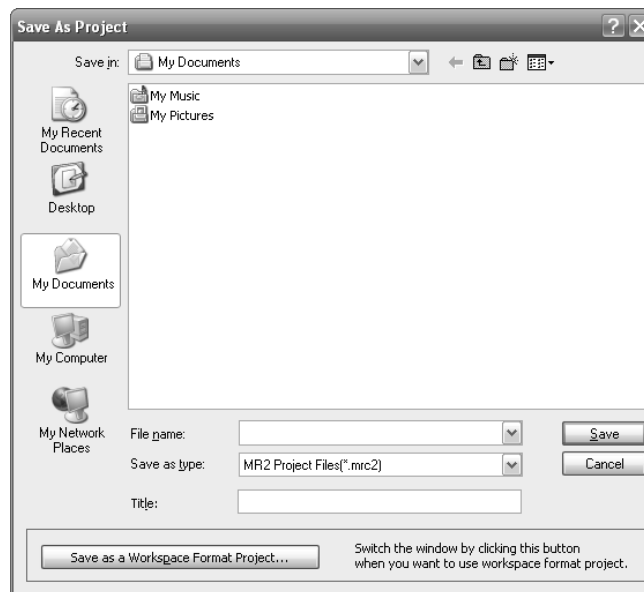
Clicking "Save as project" in the sub menu saves the project.

### (5) Save As

Save the current input information into a file. If the information to be repeatedly input is saved, that information can be read by clicking "Open".

Clicking "Save As" in the sub menu displays the following window.

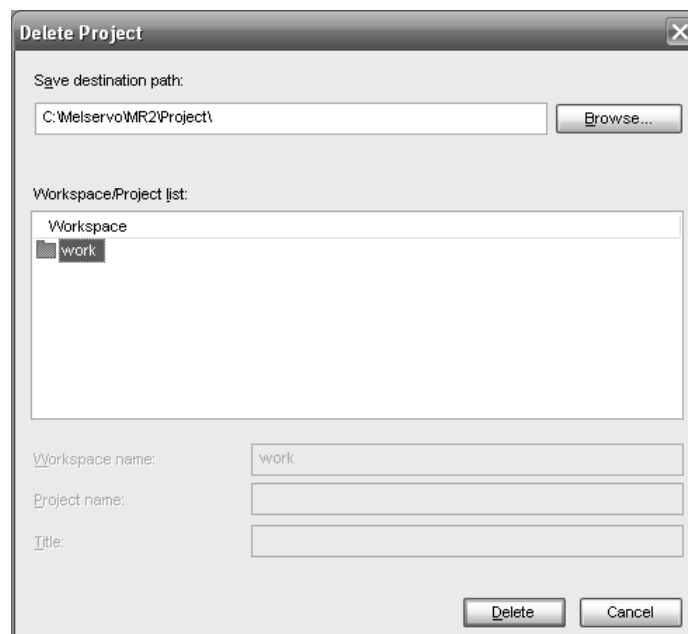
When you want to save an existing workspace format MR Configurator2 project, click the "Save as a Workspace Format Project" button.



### (6) Delete

Delete the existing project for the workspace format MR Configurator2.

Clicking "Delete" in the sub menu displays the following window.



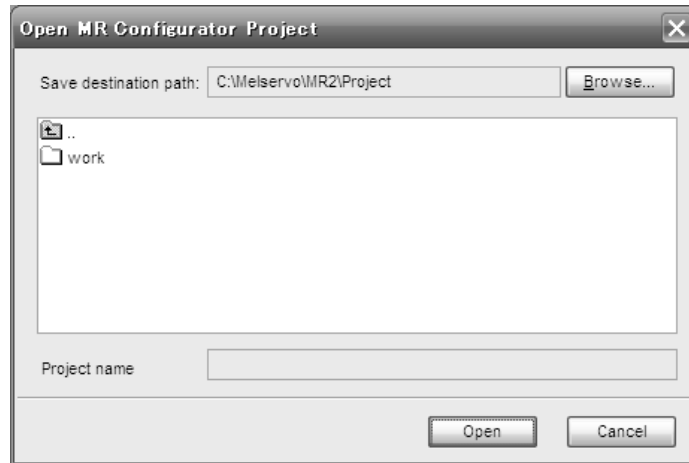
## 2. HOW TO USE THE SOFTWARE

---

### (7) Open MR Configurator Project

Open an existing MR Configurator project.

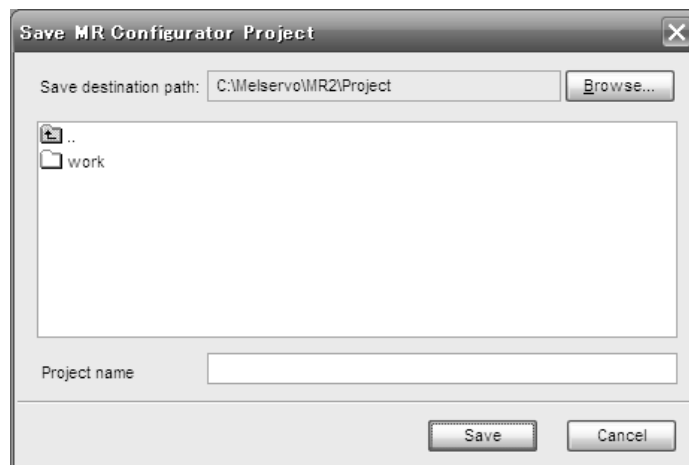
Clicking "Read Other Format" - "Open MR Configurator Project" in the sub menu displays the following window.



### (8) Save MR Configurator Project

Save an existing MR Configurator project.

Clicking "Write Other Format" - "Save MR Configurator Project" in the sub menu displays the following window.





## 2. HOW TO USE THE SOFTWARE

---

### 2.1.3 Servo parameters

The following gives an overview about setting servo parameters.

(1) When connecting to the servo amplifier

After creating a new project, please open the Parameter Setting screen by selecting Parameter → Parameter Setting, to display or edit parameters, or write them to the servo amplifier.

For the details, please refer to the help.

(2) When connecting to the servo amplifiers of multiple axes via Ethernet or Bus connection (via HUB)

After creating a new project, please open the Parameter Setting screen by selecting Parameter → Parameter Setting, to display or edit parameters, or write them to the servo amplifiers.

For the details, please refer to the help.

(3) When operating via motion controller (MT Developer2 Version 1.100E or later)

After starting MT Developer2, please open the Servo Parameter screen by selecting Servo Parameter in the project tree, to display or edit parameters, or write them to the servo amplifier.

You can also write parameter values that you set offline to the controller, and they will be reflected when the servo amplifier and the controller are connected.

(4) When operating via SSCNET III/H compatible simple motion module (GX Works2 Version 1.521T or later and GX Works3)

After starting Simple Motion Module Setting Tool, please open the Servo Parameter screen by selecting Servo Parameter in the project tree, to display or edit parameters, or write them to the servo amplifier.

You can also write parameter values that you set offline to the controller, and they will be reflected when the servo amplifier and the controller are connected.

(5) When operating from the CC-Link IE Field Configuration screen of GX Works3 via CC-Link IE Field

After opening the CC-Link IE Field Configuration screen, set up servo amplifier model manufactured by Mitsubishi Electric, and then double-click the "servo amplifier" icon. \*1

For the details, please refer to the help.

As parameter values that you set offline are not reflected to the servo amplifier, please write them to the servo amplifier online.

\*1 Including Setting/monitoring tools for the C Controller module/CW Configurator.

(6) When operating from the CC-Link IE TSN Configuration screen of GX Works3 via CC-Link IE TSN

After opening the CC-Link IE TSN Configuration screen, set up servo amplifier model manufactured by Mitsubishi Electric, and then double-click the "servo amplifier" icon. \*1

Parameter values that you set in the CC-Link IE TSN Configuration screen are maintained as part of the module parameters of the master station.

If you write module parameters to the master station after enabling "Parameter Automatic Setting" in the CC-Link IE TSN Configuration screen, parameters maintained by the master station will be automatically set to servo parameters when the servo amplifier and the controller are connected. \*2, \*3

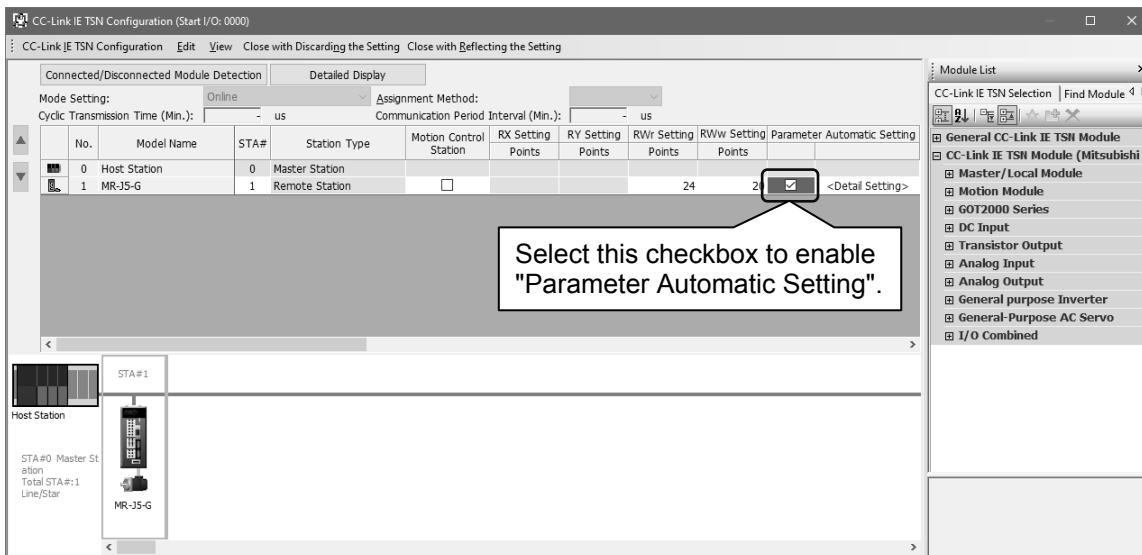
\*1 Including Setting/monitoring tools for the C Controller module/CW Configurator/CC-Link IE TSN Configurator.

When operating from the Network Configuration Settings of CC-Link IE TSN Configurator, in the Network Configuration Settings screen, set up servo amplifier model manufactured by Mitsubishi Electric, and then double-click the "servo amplifier" icon in the tree.

## 2. HOW TO USE THE SOFTWARE

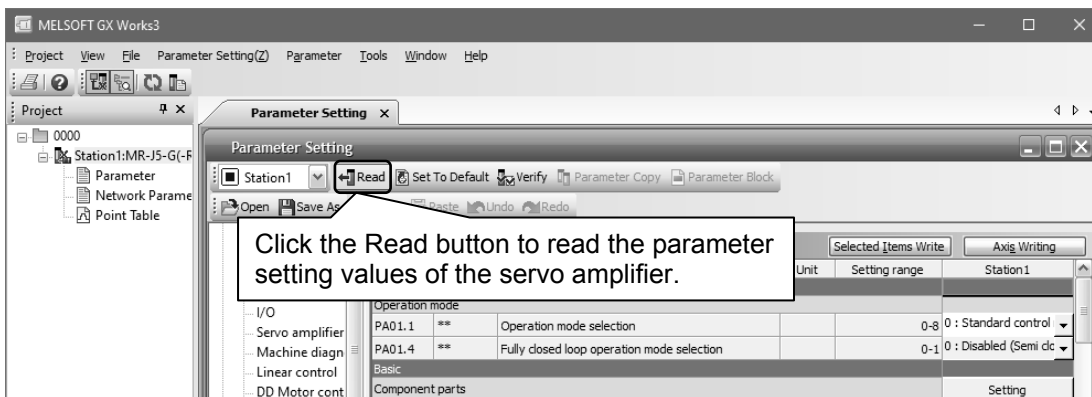
\*2 If you want to use the parameter settings of the servo amplifier on startup, execute writing to the master station after disabling "Parameter Automatic Setting" in the configuration screen, and then connect the master station and the servo amplifier.

(Example) CC-Link IE TSN Configuration screen



While the servo amplifier is connected, open the Parameter Setting screen from the CC-Link IE TSN Configuration screen and click the Read button to display or edit the parameter setting values of the servo amplifier.

(Example) Parameter Setting screen opened from the CC-Link IE TSN Configuration screen



\*3 For iQ-R series, if you enable "Parameter Automatic Setting" of the motion module, then parameters maintained by the master station will be automatically updated when any of the parameters of the servo amplifier is changed.

(For the details, please refer to "Parameter automatic setting" in the User's Manual (Communication Function) of the servo amplifier.)

To read automatically updated parameters, execute reading by selecting [Online] → [Read from PLC] → [Online Data Operation] in GX Works3, double-click the "servo amplifier" icon in the CC-Link IE TSN Configuration screen to open the Parameter Setting screen, and then you can display or edit the parameters.

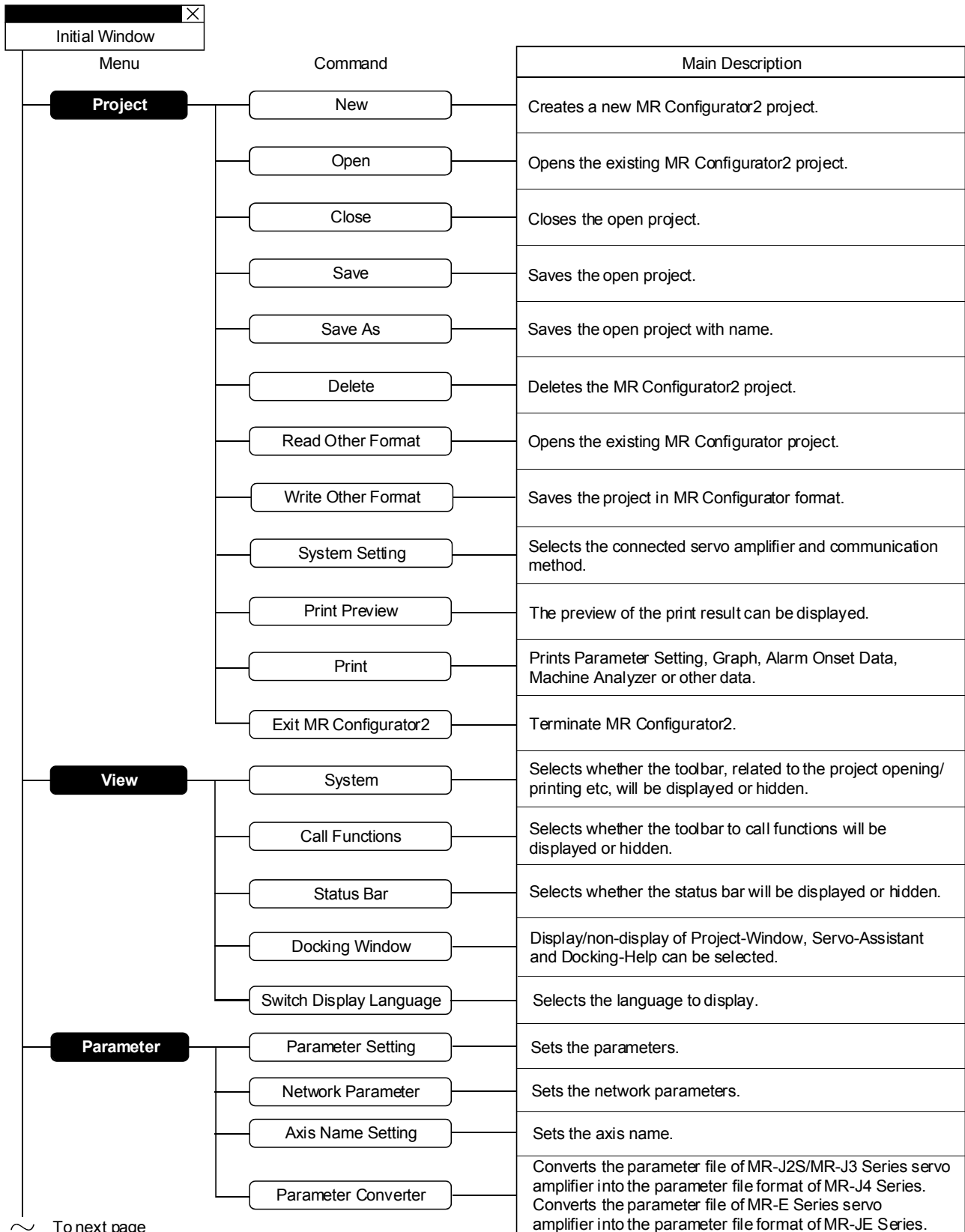
To use the parameter settings of the servo amplifier instead of automatically updated parameters, please click the Read button on the Parameter Setting screen.

## 2. HOW TO USE THE SOFTWARE

### 2.2 Commands and display windows

This section provides commands and their main descriptions.

For the method of using each command, the detailed explanation is provided in the help function of the servo amplifier software.



~ To next page

## 2. HOW TO USE THE SOFTWARE

Continued from previous page

Menu	Command	Main Description
<b>Safety</b>	Safety Parameter Setting	Sets the safety parameter setting.
	Change Password	Can change the password during writing safety parameter.
	Initialize Password	Can initialize the password during writing safety parameter.
<b>Positioning-data</b>	Point Table	Sets the point table.
	Program	Sets the program.
	Indirect Addressing	Can set the general register of servo amplifier.
	Cam Data	Can display/edit the cam data.
<b>Monitor</b>	Display All	Displays the servo status item-by-item numerically.
	I/O Monitor	Displays the I/O signal, analog monitor and other status.
	Graph	Displays the servo status in graphical form.
	ABS Data Display	Displays the ABS data. Click the Home Position Setting button to set the home position. *1 *2
	Object Monitor	Displays/writes the object dictionary used for the servo amplifier. *3
<b>Diagnosis</b>	Alarm Display	Displays the detailed information if alarm or warning is currently occurring. List displays the history about the alarm or warning already occurred.
	Alarm Onset Data	Displays the monitored data at alarm occurrence if alarm or warning is currently occurring.
	Drive Recorder	Displays the drive recorder.
	No Motor Rotation	Displays the reason why the servo motor does not rotate.
	System Configuration	Displays the system configuration information.
	Life Diagnosis	Displays the life diagnosis information.
	Machine Diagnosis	Displays the machine diagnosis information.
	Gear Failure Diagnosis	Displays the gear failure diagnosis information.
	Encoder Communication Circuit Diagnosis	Displays the encoder communication circuit diagnosis information.
	Fully Closed Loop Diagnosis	Displays the monitor and parameters concerning the fully closed loop function.
	Linear Diagnosis	Displays the monitor and parameters concerning the linear function.

To next page

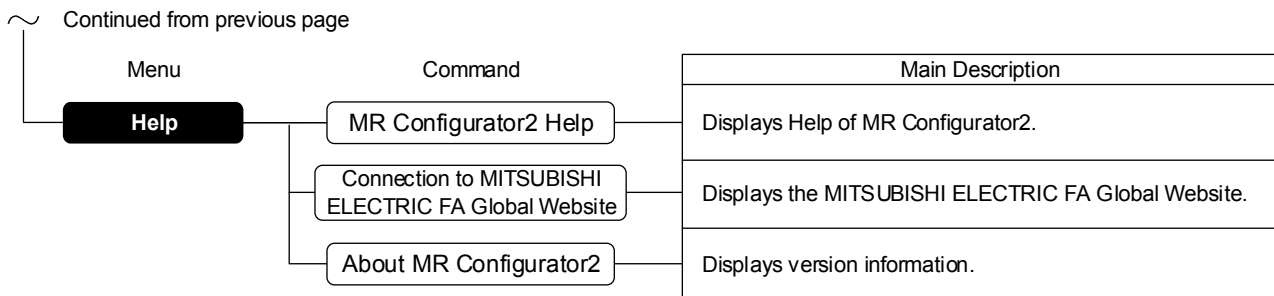
## 2. HOW TO USE THE SOFTWARE

Continued from previous page

Menu	Command	Main Description
<b>Test Mode</b>	JOG Mode	Executes JOG operation.
	Positioning Mode	Executes positioning operation.
	Motor-less Operation	Executes motor-less operation.
	DO Forced Output	Executes DO forced output.
	Program Operation	Executes programmed operation.
	Single-step Feed	Executes single-step feed operation.
	Homing	Executes manual homing from the Manual Homing screen.
	Test Mode Information	Displays the alarms and warnings which occurred at the start, end or during operation, in chronological order.
<b>Adjustment</b>	One-touch Tuning	Executes one-touch tuning.
	Tuning	Sets/adjusts the gain parameters.
	Multi-axis Tuning	Sets/adjusts the gain parameters among multiple axes.
	Machine Analyzer	Executes machine analyzer.
	Advanced Gain Search	Executes advanced gain search.
<b>Tools</b>	Update Parameter Setting Range	Acquires the parameter setting range from the connected amplifier and updates the data file of MR Configurator2.
	Machine Unit Conversion Display Setting	Sets the valid/invalid of machine unit conversion display and the unit/pulse/move distance for unit conversion.
	Axis Label Name Settings	Sets an axis label name for each axis.
	Add-ons	Expands the functionality of the servo amplifier.
	Options	Changes the option settings of MR Configurator2.
<b>Window</b>	Cascade	Displays superimposed screens.
	Tile Vertically	Tiles the screens vertically.
	Tile Horizontally	Tiles the screens horizontally.
	Arrange Icons	Arranges minimized screens.
	Close All Windows	Closes all windows which are displayed.
	Reset Window Layout	Resets all windows layout.

To next page

## 2. HOW TO USE THE SOFTWARE





- \*1 The Home Position Setting button cannot be used when:
- The servo amplifier is not MR-J5-A, MR-J4-A, or MR-JE-C.
  - The control mode is not position control mode.
  - The absolute position detection system is disabled (incremental system).
  - The servo amplifier is in test mode; one-touch tuning (Amplifier command method) or machine analyzer is being executed.
  - The backlash is being estimated for the servo amplifier (MR-J5-A only).
- \*2 The way the home position is set cannot be selected. By clicking the Home Position Setting button, the data set type homing method is used.
- \*3 There are restrictions on writing objects through the object monitor, which are:
- Multiple axes or multiple objects cannot be written at once.
  - Objects assigned to the PDO mapping cannot be written.
  - Without a controller connected, even if you write control command objects, the motor will not operate.
  - Without a controller connected, even if you change PDO mapping objects, when you connect a controller next time, they will be overwritten by the objects assigned to the controller's PDO mapping.
  - Because the communication between MR Configurator2 and servo amplifiers is irregular, fast object writing is not available.

### 3. PRECAUTIONS

#### 3. PRECAUTIONS

##### 3.1 Precautions for test mode

 <b>WARNING</b>	<ul style="list-style-type: none"> <li>▪ Always touch the switches with dry hands. You may get an electric shock if you touch them with wet hands.</li> <li>▪ Always operate the equipment with the front cover installed. Removing the front cover will expose the terminals and charged area having high voltages, which may lead to an electric shock.</li> <li>▪ Keep the front cover closed while power is on the equipment is running. Otherwise, you may get an electric shock.</li> </ul>
--	---

 <b>CAUTION</b>	<ul style="list-style-type: none"> <li>▪ Before starting operation, make sure that the parameters are set to correct values. Depending on machines, they may operate unpredictably.</li> <li>▪ Take safety measures, e.g. provide covers, to prevent accidental contact of hands and parts (cables, etc.) with the servo amplifier heat sink, regenerative brake resistor, servo motor, etc. since they may be hot while power is on or for some time after power-off. Their temperatures may be high and you may get burnt or a parts may damaged.</li> </ul>
--	--

##### (1) Servo on

In the JOG Mode, Positioning Mode, Program Operation, or Single-step Feed available in the Test, the servo amplifier's digital input signal Servo on (SON) is automatically switched on in the servo amplifier to start operation, independently of the ON/OFF status of Servo on (SON). Also, any external command pulse or input signal (except emergency stop) is not accepted until the test mode window is closed to terminate the command.

Servo on is automatically switched on by the following operation:

Test mode	Mouse
JOG Mode	Click the "Forward" or "Reverse" button.
Positioning Mode	
Program Operation	Click the "Operation Start" button.
Single-step Feed	

##### (2) Stop

<b>POINT</b>	<ul style="list-style-type: none"> <li>▪ To make an emergency stop, switch off the emergency stop signal of the servo amplifier or shut off the input power.</li> </ul>
--------------	---

##### 1) Perform the following operation to stop the test mode:

Test mode	Mouse
JOG Mode	When the check box for "Rotation only while the CCW or CW button is being pushed" on the JOG Mode window is not checked, click the "Stop" button. When the check box is checked, release the "Forward CCW" and "Reverse CW" buttons.
Positioning Mode	Click the "Pause" button or the "Stop" button.
Program Operation	
Single-step Feed	

### 3. PRECAUTIONS

---

2) The servo motor will stop if either of the following situations occurs in the test mode:

- The communication cable is disconnected.
- If the window is dragged or the other menu is opened, communication between the personal computer and the servo amplifier may be suspended temporarily, stopping the servo motor temporarily.
- Forced software stop is made.

#### 3.2 Display language switching

To switch the display language, supplemental fonts of the target language are required. Supplemental fonts can be added according to the following procedure.

Click the "Start" button on the Windows® Taskbar → [Settings] → [System] → [Apps & features] → [Manage optional features] → [Add a feature]



## 4. TROUBLESHOOTING

---

### 4. TROUBLESHOOTING

#### (1) Communication error

If communication between the personal computer and the servo amplifier is suspended and the communication error as shown in the following window occurs, check the detail code on the error message and remove its cause.

<Possible cause> Poor connection of communication cable, system setting mistake, noise entry, hard disk fault, etc.



*****001	Communication error
*****002	Communication time-out error
80A00107	
*****009	Insufficient memory error
80010400	Station number specification error
80010200	Communication port specification error
80070100	Write-protected parameter
80080200	The RD signals cannot be turn on

#### (2) Time-out error occurs at return from standby mode

POINT
▪ Some personal computers cannot return to normal from a system standby. In this case, make the system standby of the personal computer invalid.

When a system standby has been set in the power option or power saving mode of a notebook PC, a time-out error will occur at a return from a system standby.

## 4. TROUBLESHOOTING

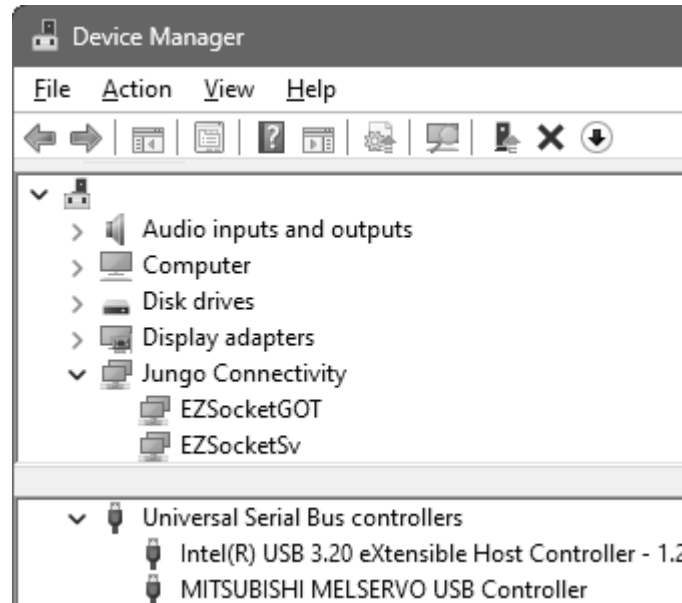
---

### (3) Communication can never be made if USB is connected

The driver may not be set correctly. Check whether the USB driver is set correctly on the Device Manager screen and whether "MITSUBISHI MELSERVO USB Controller" is displayed under the "Universal Serial Bus controllers" folder on the Device Manager screen with the servo amplifier powered on. If "? USB Device" is displayed, delete the driver once, then power the servo amplifier off and then on, and reinstall the driver.

In the same way, check whether "EZSocketSv" is displayed under the "Jungo Connectivity" tree on the Device Manager screen, with the servo amplifier powered on.

If "EZSocketSv" is not displayed, delete "MITSUBISHI MELSERVO USB Controller" once, power the servo amplifier off and then on, and reinstall the driver.



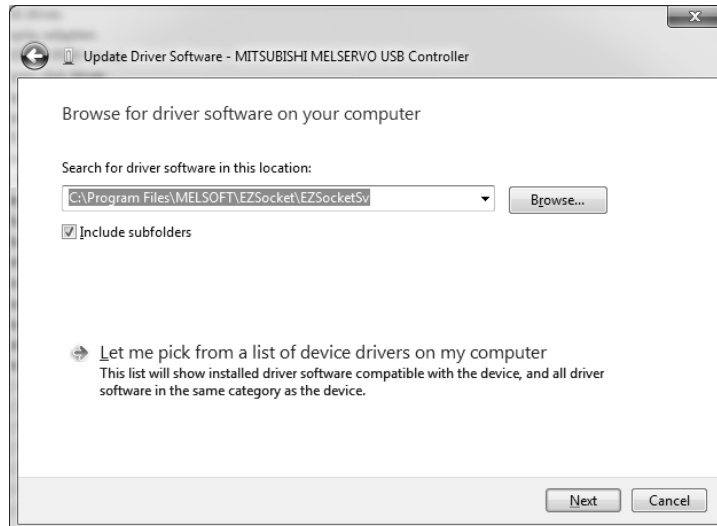
Right-click the "Start" button on the taskbar to open the menu, and then click "Device Manager" to configure the settings.

### (4) The USB driver cannot be installed

It will show the manual installation instructions of USB driver.

1. Connect a personal computer and a servo amplifier with a USB cable, and then turn on the servo amplifier.
2. "Device driver software was not successfully installed" popup window is displayed. (It will not be displayed in Windows® 8 or later.) Select [Control Panel] – [System and Security] – [Administrative Tools] – [Computer Management], and select "Update Driver Software" of [Unknown device] in the Device Manager.
3. The [Update Driver Software - Unknown Device] dialog is displayed. Select "Don't search online". Check "Browse my computer for driver software (advanced)", and then set "EZsocket\EZSocketSv" of the folder where MR Configurator2 has been installed. If multiple MELSOFT products are installed previously, refer to their installed location. ("\\Program Files\MELSOFT\EZSocket\EZSocketSv" or "[Folder where this product is installed]\EZSocket\EZSocketSv")

## 4. TROUBLESHOOTING



(5) Contents in the screen may not be displayed properly (for example, overlapping of icons, text overflowing from the frame of a button, etc.)

(a) Return the size of text and other items on the screen to 100% (96DPI, 9pt, etc.).

(b) When using Windows 10 (version 1703 or later) or a later OS \*1, the display of MR Configurator2 can be enlarged with high DPI scaling by using an OS function. \*2

1) Select 'MR2.exe' \*3, then select [Properties] on the right-click menu.

2) Select "Override high DPI scaling behavior. Scaling performed by:" in the [Compatibility] tab, then select "System" from the pull-down list.

3) Click the [OK] button.

\*1 The Windows version can be checked by the following procedure.

1. Press [Windows] key and [R] key at the same time, or click the "Start" button on the Windows<sup>®</sup> Taskbar and select [Windows System] → [Run].

2. Enter 'winver' in the "Run" screen.

3. Check the version in the displayed screen.

\*2 The display of MR Configurator2 will be blurred by enlarging.

The following lists the setting values for "Change the size of text, apps, and other items" in the OS and the recommended display resolution for each setting value.

Setting value: 100%, resolution of the display: 1024 x 768 or more

Setting value: 125%, resolution of the display: 1900 x 1200 or more

Setting value: 150%, resolution of the display: 1900 x 1200 or more

Setting value: 175%, resolution of the display: 2880 x 1620 or more

Setting value: 200%, resolution of the display: 2880 x 1620 or more

Setting value: 225%, resolution of the display: 3840 x 2160 or more

Setting value: 250%, resolution of the display: 3840 x 2160 or more

\*3 'MR2.exe' is stored in the folder where MR Configurator2 has been installed.

The following is an example of a storage location.

64-bit version operating system: C:\Program Files (x86)\MELSOFT\MRC2\MR2.exe

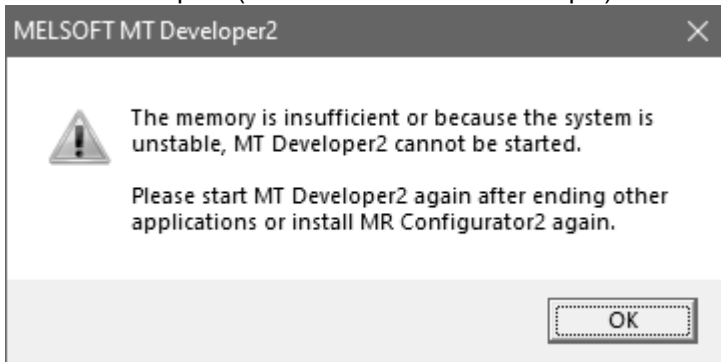
32-bit version operating system: C:\Program Files\MELSOFT\MRC2\MR2.exe

## 4. TROUBLESHOOTING

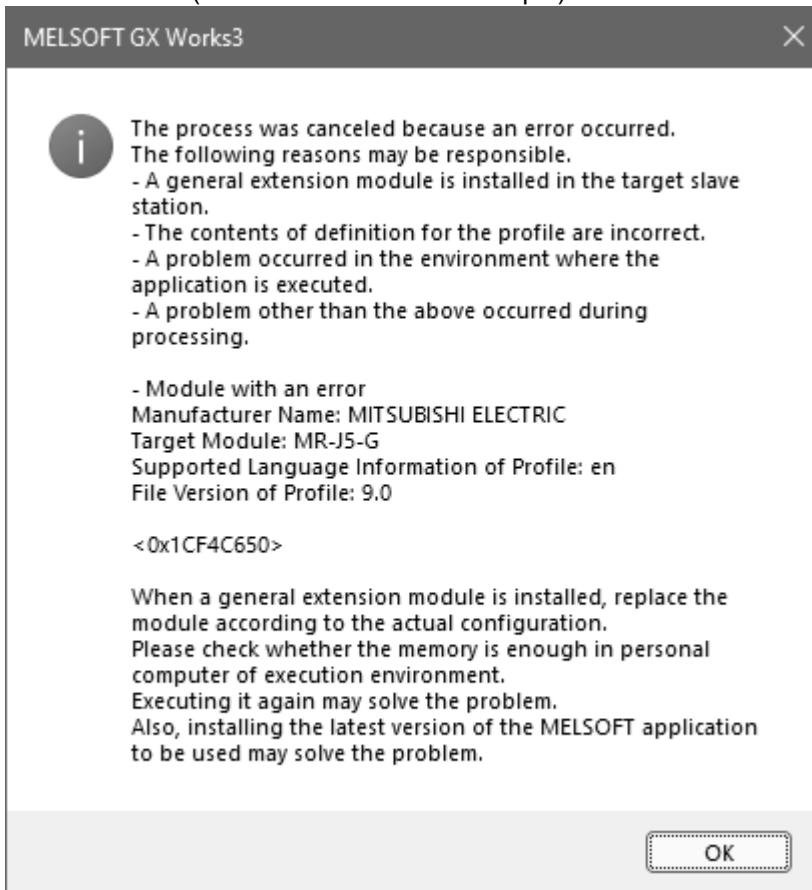
---

(6) An error occurs when opening MR Configurator2 via another MELSOFT product  
The following errors may occur when MR Configurator2 is opened from another MELSOFT product.

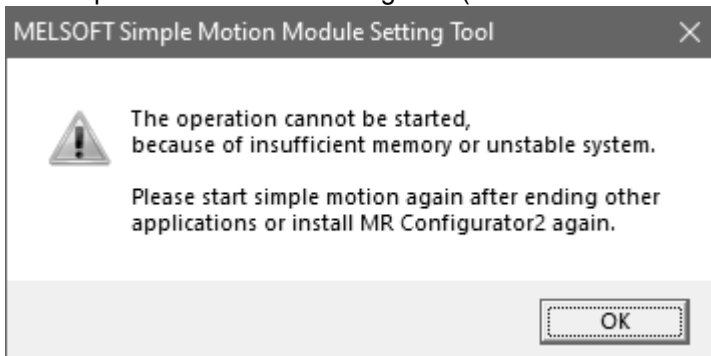
(a) For MT Developer2 (Version 1.182Q as an example)



(b) For GX Works3 (Version 1.090U as an example)



(c) For Simple Motion Module Setting Tool (Version 1.180N as an example)



## 4. TROUBLESHOOTING

---

One possible cause is that the MELSOFT product and MR Configurator2 have different administrative privileges.

Open the properties of the MELSOFT product, find the "Run this program as an administrator" option under [Settings] in the [Compatibility] tab, and see if it is checked.

Check or uncheck "Run this program as an administrator" for all the following exe files, to make sure that they and the MELSOFT product are in the same state.

- Those under "C:\Program Files (x86)\MELSOFT\MRC2" \*1
- Those under "[the folder specified for installation]\MRC2"

If any other MELSOFT product is in a different state, check or uncheck the option for it accordingly, as well.

\*1 For a 32-bit OS, the path is "C:\Program Files\MELSOFT\MRC2".

- (7) The software does not work properly after introducing an operation monitoring/gathering tool  
If a tool that monitors or gathers information of operations of external devices, files, or printers has been installed on your environment, specific software might be unable to run.  
For example, e-Manual might not be displayed in the docking help window of MR Configurator2.  
Check the troubleshooting items and manuals of the operation monitoring/gathering tool and review settings to avoid the issue.
- (8) Memory usage keeps increasing as MR Configurator2 runs with anti-virus software enabled  
If anti-virus software has been installed on your environment, memory usage might keep increasing as MR Configurator2 runs.  
Check the troubleshooting items and manuals of the anti-virus software and review settings to exclude MR Configurator2 from behavior monitoring.
- (9) MR Configurator2 does not switch to online on a PC that has SWM-G installed  
If SWM-G has been installed on your environment, to use MR Configurator2, set it up as follows:  
Use the settings described in "Appendix 2 How to Use the IP Communication" in the manual of SWM-G.

# REVISIONS

\*The manual number is given on the bottom left of the back cover.

Revision Date	*Manual Number	Revision
Sep., 2010	IB(NA)0300163-A	First edition
Mar., 2012	IB(NA)0300163-B	1-1 Add MR-J4-A, MR-J4-B, MR-J3-A, and MR-J3-T in the table 1-2 Add MR-J4-B in the table 1-3 Add MR-J4-B in the table 1-4 Add 64-bit OS 1-6 Add to SSCNETIII/H communication path in the figure 1-7 Add to SSCNETIII/H communication path in the figure 2-2 Changes to the MR-J4-B from MR-J3-B models in the figure 2-6 Add "Point table", "Drive Recorder" and "Machine Diagnosis" 2-7 Add "Single-step Feed", "One-touch Tuning" and "Reset Window Layout" 2-8 Add "Single-step Feed" 2-10 Delete the description of MR-J3-B 2-10 Add the description of MR-J4-A to column of SYNC command 2-11 Add SYNC command in the figure
Jun., 2012	IB(NA)0300163-C	1-1 Available "Update Parameter Setting Range" of MR-J4-A 1-1 Available "Fully Closed Loop Diagnosis" of MR-J4-B 1-2 Available "Fully Closed Loop Diagnosis" of MR-J4-B 1-3 Available "Fully Closed Loop Diagnosis" of MR-J4-B 1-1 Add "Parameter Converter" in the table 1-2 Add "Parameter Converter" in the table 1-3 Add "Parameter Converter" in the table 2-5 Add "Parameter Converter"
Feb., 2013	IB(NA)0300163-D	1-1 Add MR-J4-B-RJ010, MR-JN-A and MR-JE-A in the table 1-1 Add "Program" in the table 1-1 Available "Fully Closed Loop Diagnosis" of MR-J4-A 1-1 Available "Linear Diagnosis" of MR-J4-A 1-2 Add "Program" in the table 1-3 Add MR-J4-B-RJ010 in the table 1-3 Add "CC-Link IE Field" and "Program" in the table 1-7 Add "MR-J4-B-RJ010" to "(4) For setting up via a simple motion" 1-7 Describe the USB connection by SSCNET and CC-Link IE Field 1-7 Modify the description of GX Communication setting 2-3 Modify the description of "(5) Saving the project with name" 2-3 Modify the description of "(6) Deleting the project" 2-6 Add "Program" to "Positioning-data"

Revision Date	*Manual Number	Revision
May, 2013	IB(NA)0300163-E	1-4 Modify the description of "Note 3, 4, 5" 1-4 Add the Windows® 8 to OS 1-6 Modify the description of "(3) For setting up via a motion controller" 1-7 Modify the description of "(4) For setting up via a simple motion" 1-9 Modify the description of "1.4 Installation procedure" 1-9 Add the description of Windows® 8 1-11 Modify the description of "POINT" 1-11 Add the description of Windows® 8 1-13 Modify the description of "1.5 New hardware detection wizard" 1-14 Add the description of Windows® 8 3-2 Add the description of Windows® 8
Mar., 2014	IB(NA)0300163-F	1-1 Add the J3 extension function 1-1 Add the safety menu, available "Positioning-data" of MR-J4-A 1-2 Add the J3 extension function and safety menu 1-3 Add the J3 extension function and safety menu 1-4 Add the Windows® 8.1/delete the Windows® 2000 to OS 1-9 Delete the description of Windows® 2000 1-11 Modify the security warning screen 1-13 Delete the description of Windows® 2000 1-14 Delete the description of Windows® 2000 2-1 Modify the start-up method 2-2 Change the image 2-6 Add the safety and indirect addressing menu 3-1 Delete the description of Windows® 2000 3-2 Delete the description of Windows® 2000
Jun., 2014	IB(NA)0300163-G	1-2 Add the description about MT Developer2 Version 1.100E or later 1-3 Add the description about GX Works3 1-6 Add the description about MT Developer2 Version 1.100E or later 1-7 Add the description about GX Works3 2-1 Add the description about MT Developer2 Version 1.100E or later/ GX Works3 2-5 Add "Switch Display Language" in View

Revision Date	*Manual Number	Revision
Oct., 2014	IB(NA)0300163-H	<p>A-2 Delete the memo page of "Safety Instructions"</p> <p>2 Delete the memo page of "CONTENTS"</p> <p>1-2 Modify the layout</p> <p>1-3 Modify the layout</p> <p>1-4 Modify the layout</p> <p>1-7 Modify the layout</p> <p>1-8 Modify the layout</p> <p>2-6 Modify the description of "Alarm Display"</p> <p>2-7 Add "Connection to MITSUBISHI ELECTRIC FA Global Website" in Help</p> <p>2-7 Modify the description of "Update Parameter Setting Range"</p> <p>2-12 Delete the memo page of "2. HOW TO USE THE SOFTWARE"</p> <p>3-3 Delete the memo page of "3. TROUBLESHOOTING"</p> <p>Back cover Delete the three-diamond Mitsubishi mark before the company name</p>
Nov., 2014	IB(NA)0300163-J	<p>1-1 Available "Functional safety unit" of MR-J4-A/Add the description about MR-J4-B-RJ/Add MR-JE-B</p> <p>1-2 Add the description about MR-J4-B-RJ</p> <p>1-3 Add the description about MR-J4-B-RJ/Add MR-JE-B</p>
Jan., 2015	IB(NA)0300163-K	<p>1-1 Modify the description about MR-JE-A</p> <p>1-1, 1-2 Divide the description about MR-J4 series and MR-J3 series/ MR-JN-A to 1-1 and 1-2 pages</p> <p>1-1, 1-2, 1-3, 1-4 Add "Cam data" to "Positioning-data"</p> <p>1-1, 1-3 Add MR-J4-B-LL in the table</p> <p>1-7 Modify the layout</p> <p>1-8 Modify the layout</p> <p>2-6 Add "Cam data" to "Positioning-data"</p>
Apr., 2015	IB(NA)0300163-L	<p>1-1 Change the model order in corresponding table</p> <p>1-12 Add the description of "POINT"</p> <p>1-13 Add the description of "POINT"</p> <p>3-3, 3-4 Add the description of "TROUBLESHOOTING"</p>
Jul., 2015	IB(NA)0300163-M	<p>1-1, 1-3, 1-4 Modify the model name in corresponding table</p> <p>1-5 Update the Windows® XP of the corresponding OS/Check the description of Note 3</p> <p>1-7, 1-8 Modify the model name</p> <p>1-13 Modify the contents</p> <p>2-9 Modify the contents in Chapter 2</p>
Sep., 2015	IB(NA)0300163-N	<p>1-1 Add MR-J4-GF</p> <p>1-6, 1-7, 1-8 Modify the contents</p> <p>1-13 Modify the contents</p>



Revision Date	*Manual Number	Revision
Feb., 2016	IB(NA)0300163-P	<p>1-1 Modify the model name in corresponding table to MR-J4-GF(-RJ)</p> <p>1-1 Available "Point Table", "Fully Closed Loop Diagnosis", "Linear Diagnosis" and "Single-step Feed" of MR-J4-GF(-RJ)</p> <p>1-3, 1-4 Modify the title</p> <p>1-4 Add MR-J4-GF(-RJ) in corresponding table</p> <p>1-5 Add Windows® 10 in corresponding OS</p> <p>1-6 Modify the notes</p> <p>1-8, 1-9 Modify the contents</p> <p>3-2 Add the description of Windows® 10</p>
Jun., 2016	IB(NA)0300163-Q	<p>1-3 Add MR-MT2□□□</p> <p>1-5 Add Windows® 10 Education in corresponding OS</p> <p>1-6 Modify the display of note 3</p> <p>1-8, 1-9 Modify the passage</p> <p>2-7 Add "Options" to "Tools"</p> <p>3-1 Add the chapter of "PRECAUTIONS"</p> <p>3-1, 3-2 Change the Precautions for test mode to chapter 3.1</p> <p>3-2 Add the chapter of "Display language switching"</p> <p>4-1, 4-2, 4-3, 4-4 Change the chapter of "TROUBLESHOOTING" to chapter 4</p>
Oct., 2016	IB(NA)0300163-R	<p>COVER FRONT Modify the passage</p> <p>A-1 Correct misentry</p> <p>1-1, 1-4 Available "Safety Parameter Setting", "Change Password", "Initialize Password" and "Cam Data" of MR-J4-GF(-RJ)</p> <p>1-3, 1-4, 1-6 Modify the notes</p>
Dec., 2016	IB(NA)0300163-S	<p>A-1 Modify the passage</p> <p>1-1, 1-2 Divide the description about MR-JE series from MR-J4 series/MR-JE series and add MR-JE-C to JE series</p>
Mar., 2017	IB(NA)0300163-T	1-2, 1-5 Change MR-JE-B to MR-JE-B(F)
May, 2017	IB(NA)0300163-U	1-5, 2-1 Add the version of GX Works2
Aug., 2017	IB(NA)0300163-V	<p>1-1, 1-2, 1-3 Add "Ethernet" menu</p> <p>1-1, 1-2, 1-3, 1-4, 1-5 Add "Multi-axis Tuning" menu</p> <p>1-6 Add the item "Ethernet cable"</p> <p>1-8 Add the description of Ethernet connection</p> <p>2-7 Add "Multi-axis Tuning" to "Adjustment"</p>
Mar., 2018	IB(NA)0300163-W	<p>A-1 Move the description of trademarks to the behind of "REVISONS"</p> <p>1-1 Available "Ethernet communication" of MR-J4-GF(-RJ)</p> <p>1-7 Delete the description of trademarks</p> <p>1-8, 1-9, 1-10 Delete the note of trademarks</p> <p>2-1 Add the description of start-up via USB, etc.</p> <p>4-5 Add the troubleshooting when contents in the screen are not displayed properly</p>

Revision Date	*Manual Number	Revision
Sep., 2018	IB(NA)0300163ENG-X	1-2 Available "Point Table" of MR-JE-C 1-6 Add Windows® 10 IoT Enterprise 2016 LTSB in corresponding OS
Apr., 2019	IB(NA)0300163ENG-Y	1-1 Add MR-J5 series 1-7 Add MR-J5 series to "When via GX Works3" 1-8 Modify the notes of components 1-12 Add the description of HUB connection to "(5) For setting up via GX Works2/GX Works3" 2-3 Add the new project screen of multi-axis project 2-6 Add "Network Parameter" to "Parameter" 2-7 Add "Gear Failure Diagnosis" and "Encoder Communication Circuit Diagnosis" to "Diagnosis"
Oct., 2019	IB(NA)0300163ENG-Z	1-1 Available "Network Parameter" and "Fully Closed Loop Diagnosis" of MR-J5-A 1-1 Available "Fully Closed Loop Diagnosis" of MR-J5-G, modify the notes 1-1 Add MR-J5-G-N1, MR-JET-G and MR-JET-G-N1 1-7 Available "Network Parameter" and "CC-Link IE TSN" of MR-J5-G when via GX Works3, modify the notes 1-7 Add MR-JET-G
Jul., 2020	IB(NA)0300163ENG-AA	1-1 Available "Safety Parameter", "Change Password", and "Initialize Password" of MR-J5-G and MR-J5-G-N1 1-1 Available "Linear Diagnosis" of MR-JET-G and MR-JET-G-N1 1-8 Delete Windows® XP/Windows Vista® from OS 1-9, 1-16, 1-18, 1-19, 4-1, 4-2, 4-3, 4-4 Delete the description of Windows® XP/Windows Vista®
Oct., 2020	IB(NA)0300163ENG-AB	1-1, 1-2, 1-3, 1-4, 1-5, 1-6, 1-7 Add "Object Monitor" menu 2-7 Add "Object Monitor" to "Monitor"
Jan., 2021	IB(NA)0300163ENG-AC	1-1 Available "Point Table" and "Single-step Feed" of MR-J5-G, MR-J5-G-N1, MR-JET-G, and MR-JET-G-N1 1-2 Available "Parameter Converter" of MR-J4-GF 1-12 Add Motion Module (CC-Link IE TSN) to the explanation and figures of (5) 2-1, 2-2 Modify the contents 2-6, 2-7 Add chapter 2.1.3 Servo parameters

Revision Date	*Manual Number	Revision
Jun., 2021	IB(NA)0300163ENG-AD	<p>1-1 Modify MR-J5-G(-RJ) to MR-J5_-G(-RJ)</p> <p>1-1 Modify MR-J5-G-N1 to MR-J5_-G-N1</p> <p>1-7 Add connection via CW Configurator/CC-Link IE TSN Configurator</p> <p>1-7 Modify MR-J5-G(-RJ) to MR-J5_-G(-RJ)</p> <p>1-1, 1-7 Add notes</p> <p>1-9 Add the description that surrogate pair characters are not available</p> <p>1-12 Modify the explanation and figures of (5)</p> <p>1-13 Add the explanation and figures of (6)</p> <p>2-1 Add notes, modify the explanations of (7) and (8), and add (9)</p> <p>2-3, 2-4 Modify the images of New Project screen (Single axis and multi-axis)</p> <p>2-7 Add notes and modify the explanations of (5) and (6)</p>
Apr., 2022	IB(NA)0300163ENG-AE	<p>1-1 Add MR-J5(W)-B(-RJ)</p> <p>1-1 Add "Add-ons" to "Tools"</p> <p>1-1 Add notes</p> <p>1-1 Add "*"5" to MR-J5-G-N1, MR-JET-G, and MR-JET-G-N1</p> <p>1-1 Available "Fully Closed Loop Diagnosis" for MR-JET-G and MR-JET-G-N1</p> <p>1-5 Change the title of the table to "When via MT Developer2 (Except MR-J5 series)"</p> <p>1-5 Change "Machine Unit Conversion Display Setting" to unavailable</p> <p>1-6 Add "When via MT Developer2 (MR-J5 series)"</p> <p>1-8 Change the title of the table to "When via GX Works2/GX Works3 (MR-J5 series/MR-JET series)"</p> <p>1-8 Add MR-J5(W)-B(-RJ) and notes</p> <p>1-5, 1-6 Change the page order</p> <p>1-7, 1-8 Change the page order</p> <p>1-9 Update the supported browser versions</p> <p>1-9 Add Windows® 11 to OS</p> <p>2-11 Add "Add-ons" to "Tools"</p> <p>3-2 Add the description of Windows® 11</p> <p>4-2, 4-4 Change the OS descriptions</p>
Oct., 2022	IB(NA)0300163ENG-AF	<p>1-1, 1-2, 1-3 Add "Axis Label Name Settings" to "Tools"</p> <p>1-1, 1-2, 1-3 Add notes</p> <p>2-4 Add a procedure to configure a multi-axis project using automatic detection</p> <p>2-12 Add "Axis Label Name Settings" to "Tools"</p>

Revision Date	*Manual Number	Revision
Apr., 2023	IB(NA)0300163ENG-AG	<p>1-9 Delete the descriptions of Windows<sup>®</sup> 7, Windows<sup>®</sup> 8, and Windows<sup>®</sup> 8.1</p> <p>1-10 Modify the notes</p> <p>1-12 Add a figure for case (3) Ethernet</p> <p>1-20 Delete the descriptions for Windows<sup>®</sup> 7 and Windows<sup>®</sup> 8</p> <p>2-11, 2-13 Modify the descriptions for "ABS Data Display" and "Object Monitor"</p> <p>3-2 Delete the description of the OS</p> <p>4-2 Delete the descriptions of Windows<sup>®</sup> 7, Windows<sup>®</sup> 8, and Windows<sup>®</sup> 8.1</p> <p>4-4 Add the troubleshooting for the errors that occur when opening MR Configurator2 via another MELSOFT product</p> <p>4-5 Add the troubleshooting for software operation issues after introducing an operation monitoring/gathering tool</p>
Nov., 2023	IB(NA)0300163ENG-AH	<p>1-2, 1-6 Review restricted functions for MR-J4-B-LL in pressure control mode</p> <p>1-6 Add MR-JE-B(F) to "When via MT Developer2 (Except MR-J5 series)"</p> <p>1-9 Review supported OSs</p> <p>1-9 Add Windows<sup>®</sup> 10 IoT Enterprise 2019 LTSC to OSs</p> <p>2-4 Add a precaution for using motion software and MR Configurator2 at the same time with a multi-axis project</p> <p>4-3 Remove the unit for resolution</p> <p>4-5 Add the troubleshooting when memory usage keeps increasing as MR Configurator2 runs with anti-virus software enabled</p>
May, 2024	IB(NA)0300163ENG-AJ	<p>1-1 Add MR-J5-G-LL and MR-J5-B-LL</p> <p>1-1, 1-2 Split the table into MR-J5 series and MR-JET series</p> <p>1-1 Add a note</p> <p>1-6 Add MR-J5-B-LL to "When via MT Developer2 (MR-J5 series)"</p> <p>1-6 Add notes</p> <p>1-8 Add MR-J5-G-LL to "When via GX Works2/GX Works3 (MR-J5 series/MR-JET series)"</p> <p>1-8 Add notes</p> <p>1-10, 1-11, 2-6, 2-8, 2-9 Modify notes</p>

Revision Date	*Manual Number	Revision
Nov., 2024	IB(NA)0300163ENG-AK	COVER FRONT Modify the model 1-1, 1-2, 1-3, 1-4, 1-5, 1-6, 1-7, 1-8, 1-9 Add "Homing" to "Test Mode" 1-2 Change the model names in the table to MR-JET-G(-HS) and MR-JET-G(-HS)N1 1-2 Available "Safety Parameter Setting", "Change Password", and "Initialize Password" for MR-JET-G(-HS) and MR-JET-G(-HS)N1 1-8 Add a note 2-4 Change an image for (1) 2-4 Add a note 2-12 Add "Homing" to the commands 4-2 Modify the content of (3) 4-5 Add troubleshooting when MR Configurator2 does not switch to online on a PC that has SWM-G installed

This manual confers no industrial property rights or any rights of any other kind, nor does it confer any patent licenses. Mitsubishi Electric Corporation cannot be held responsible for any problems involving industrial property rights which may occur as a result of using the contents noted in this manual.

The "Mitsubishi Electric General-purpose AC Servo MELSOFT MR Configurator2" is a production of Mitsubishi Electric Corporation.  
Mitsubishi Electric Corporation reserves the copyright and all other rights of this software.  
This Installation Guide may not be reproduced or copied, in whole or part, without written consent of Mitsubishi Electric Corporation.  
Microsoft and Windows are registered trademarks or trademarks of Microsoft Corporation in the United States and other countries.  
Intel, Pentium and Celeron are trademarks of Intel Corporation in the United States and other countries.  
Generally, the company names, system names and product names, etc. mentioned herein are registered trademarks or trademarks of their respective companies.  
The trademark symbols (™, ®) mentioned herein may be unspecified.

MODEL	
MODEL CODE	

# MITSUBISHI ELECTRIC CORPORATION

HEAD OFFICE : TOKYO BLDG MARUNOUCHI TOKYO 100-8310