

MELSEC iQ-F FX5-4A-ADP

Hardware Manual



Table with 2 columns: Manual Number, Revision, Date. Values: IB(NA)-0800661, C, July 2023

This manual describes the part names, dimensions, installation, and specifications of the product. Before use, read this manual and manuals of relevant products fully to acquire proficiency in handling and operating the product.

Registration: The company names, system names and product names mentioned in this manual are either registered trademarks or trademarks of their respective companies.

Effective July 2023. Specifications are subject to change without notice. © 2021 MITSUBISHI ELECTRIC CORPORATION

Safety Precautions (Read these precautions before use.)

This manual classifies the safety precautions into two categories:

WARNING and CAUTION

Table with 2 columns: WARNING, CAUTION. Describes hazardous conditions and injury risks.

Depending on the circumstances, procedures indicated by CAUTION may also cause severe injury. It is important to follow all precautions for personal safety.

Associated Manuals

Table with 3 columns: Manual name, Manual No., Description. Lists MELSEC iQ-F FX5 and MELSEC iQ-F FX5S/FX5UJ/FX5U/FX5UC manuals.

How to obtain manuals

For the necessary product manuals or documents, consult with your local Mitsubishi Electric representative.

Applicable standards

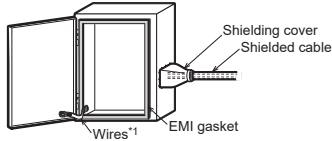
FX5-4A-ADP complies with the EU Directive (EMC Directive), UL standards (UL, cUL) and UKCA marking. Further information can be found in the following manual.

Attention

This product is designed for use in industrial applications.

Caution for EU Directive

- Installation in Enclosure: PLC are open-type devices that must be installed and used within conductive control cabinets. Control cabinet: The control cabinet must be conductive. Grounding: Ground the control cabinet with the thickest possible grounding cable.



*1 These wires are used to improve the conductivity between the door and control cabinet.

- Cables: Make sure to use shielded cables as cables pulled out of the control cabinet. Connect the shield such as shielded cables and shielding covers to the grounded control cabinet. It is possible that the accuracy temporarily fluctuates within ±10%.

Compliance with UKCA marking

The requirements for compliance with UKCA marking are the same as that with EU directive (CE marking).

1. Outline

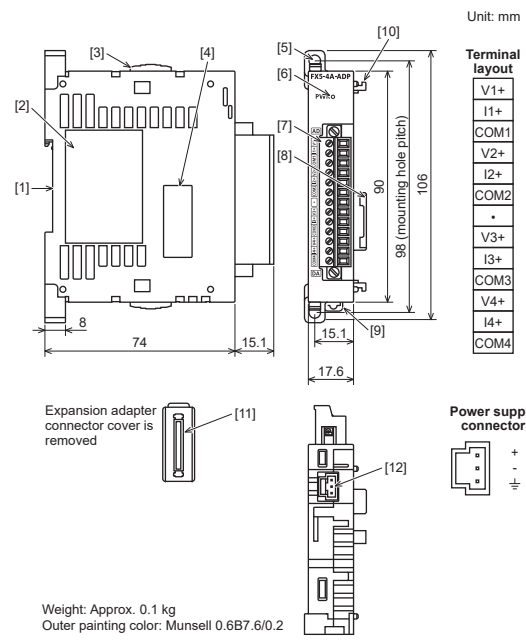
The FX5-4A-ADP expansion adapter for analog input/output (hereinafter called 4A-ADP) is an expansion adapter to add two analog input points and two analog output points.

1.1 Incorporated Items

Verify that the following product and items are included in the package:

Table with 2 columns: Product, Included Items. Lists FX5-4A-ADP analog input/output expansion adapter, power supply cable, and manuals.

1.2 External Dimensions, Part Names, and Terminal Layout



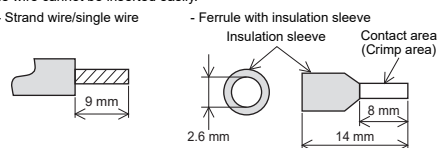
- Weight: Approx. 0.1 kg. Outer painting color: Munsell 0.6B7.6/0.2. [1] DIN rail mounting groove, [2] Name plate, [3] Expansion adapter connecting hook, [4] Expansion adapter connector cover, [5] Direct mounting hole, [6] PWR LED, [7] Terminal block, [8] Expansion adapter connector, [9] DIN rail mounting hook, [10] Expansion adapter connecting claw, [11] Expansion adapter connector, [12] Power supply connector.

2. Installation

INSTALLATION PRECAUTIONS

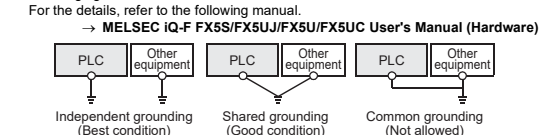
- WARNING: Make sure to cut off all phases of the power supply externally before attempting installation or wiring work. Failure to do so may cause electric shock or damage to the product. Use the product within the generic environment specifications described in the User's Manual (Hardware) of the CPU module used.

3) Wire end treatment: Strip the coating of strand wire and twist the cable core before connecting it, or strip the coating of single wire before connecting it.



3.4 Grounding

Grounding should be performed as stated below. The grounding resistance should be 100 Ω or less. Independent grounding should be performed for best results.



- The grounding wire size should be AWG 22 to 20 (0.3 to 0.5 mm²). Bring the grounding point close to the PLC as much as possible so that the ground cable can be shortened.

4. Specifications

STARTUP AND MAINTENANCE PRECAUTIONS table. Includes CAUTION: Do not disassemble or modify the PLC. Do not drop the product or exert strong impact to it.

DISPOSAL PRECAUTIONS table. Includes CAUTION: Please contact a certified electronic waste disposal company for the environmentally safe recycling and disposal of your device.

TRANSPORTATION PRECAUTIONS table. Includes CAUTION: The product is a precision instrument. During transportation, avoid impacts larger than those specified in the general specifications by using dedicated packaging boxes and shock-absorbing pallets.

Reference table for caulking tool. Columns: Manufacturer (PHOENIX CONTACT GmbH & Co. KG), Model (AI 0.5-8 WH), Caulking tool (CRIMPFOX 6, CRIMPFOX 6T-F).

4) Tool: For tightening terminals, use a small screwdriver with a straight tip that is not widened toward the end as shown right.



Note: If the diameter of screwdriver grip is too small, tightening torque may not be achieved. To achieve the appropriate tightening torque shown in the table above, use the following screwdriver or appropriate replacement (grip diameter: approximately 25 mm).

Table with 2 columns: Manufacturer (PHOENIX CONTACT GmbH & Co. KG), Model names (SZS 0.4x2.5).

5) Terminal block fixed screw tightening torque: Tighten the screws within the range of 0.2 to 0.3 N·m. Do not tighten terminal screws exceeding with a torque outside the above-mentioned range.

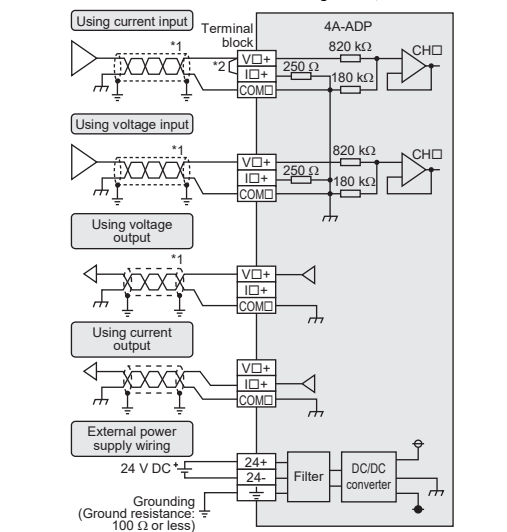
3.2 Power Supply Wiring

For the power supply wiring, refer to the following manual.

→ MELSEC iQ-F FX5 User's Manual (Application)

3.3 Wiring of Analog Input/Output

→ For the terminal configuration, refer to Section 1.2



V+, I+, COM, CHC: □ represents the channel number.

For analog input, use channel 1, 2.

For analog output, use channel 3, 4.

*1 Use 2-core shielded twisted pair cable for the analog input/output lines, and separate the analog output lines from other power lines or inductive lines.

*2 Make sure to short-circuit the V+ and I+ terminals when current is input. (□: channel 1, 2)

INSTALLATION PRECAUTIONS CAUTION

- Do not touch the conductive parts of the product directly. Do not touch the conductive parts of the product directly. When drilling screw holes or wiring, make sure that cutting and wiring debris do not enter the ventilation slits of the PLC.

For the installation, refer to the following manual.

→ MELSEC iQ-F FX5S/FX5UJ/FX5U/FX5UC User's Manual (Hardware)

3. Wiring

WIRING PRECAUTIONS WARNING

- WARNING: Make sure to cut off all phases of the power supply externally before attempting installation or wiring work. Failure to do so may cause electric shock or damage to the product. The temperature rating of the cable should be 80°C or more.

WIRING PRECAUTIONS CAUTION

- CAUTION: When drilling screw holes or wiring, make sure that cutting and wiring debris do not enter the ventilation slits of the PLC. Failure to do so may cause fire, equipment failures or malfunctions. Make sure to observe the following precautions in order to prevent any damage to the machinery or accidents due to malfunction of the PLC caused by abnormal data written to the PLC due to the effects of noise.

3.1 Cable end treatment and tightening torque

3.1.1 European type terminal block

Table for cable end treatment and tightening torque. Columns: No. of wire per terminal, Wire size (Single wire, Strand wire, Ferrules with insulating sleeve).

- 2) Tightening torque: Tighten the terminal screws with 0.20 N·m. Do not tighten the screws outside the specified torque. Failure to do so may cause equipment failures or malfunctions.

Table with 2 columns: Item, Specification. Internal electric supply (Interface): 5 V DC 10 mA.

4.5 Performance Specifications

4.5.1 Analog Input Specifications

Table with 3 columns: Item, Specification, Resolution. Analog input range: 0 to 10 V, 0 to 5 V, 1 to 5 V, -10 to +10 V.

*1 For the input conversion characteristic, refer to the following. → MELSEC iQ-F FX5 User's Manual (Application)

4.5.2 Analog Output Specifications

Table with 3 columns: Item, Specification, Resolution. Number of analog output points: 2 points (2 channels). Analog output voltage: -10 to +10 V DC.

*1 For the output conversion characteristic, refer to the following. → MELSEC iQ-F FX5 User's Manual (Application)

4.5.3 Common Specifications

Table with 2 columns: Item, Specification. Conversion speed: FX5S CPU module: Maximum 2.2 ms. FX5UJ/FX5U/FX5UC CPU module: Maximum 2.0 ms.

This manual confers no industrial property rights or any rights of any other kind, nor does it confer any patent licenses.

Warranty: Exclusion of loss in opportunity and secondary loss from warranty liability. (1) Damages caused by any cause found not to be the responsibility of Mitsubishi.

For safe use

- This product has been manufactured as a general-purpose part for general industries, and has not been designed or manufactured to be incorporated in a device or system used in purposes related to human life.