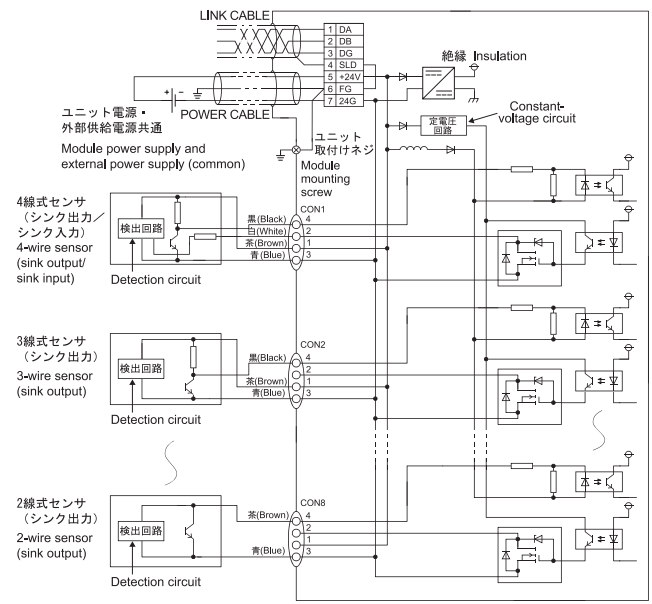


外部接続
External connection



端子番号
Terminal number

信号名
Signal name

ピン番号
Pin number

信号名
Signal name

TB1	DA	CON4-1	+24V
TB2	DB	CON4-2	YB
TB3	DG	CON4-3	24G
TB4	SLD	CON4-4	X3
TB5	+24V	CON5-1	+24V
TB6	↓ (FG)	CON5-2	YC
TB7	24G	CON5-3	24G
		CON5-4	X4
		CON6-1	+24V
		CON6-2	YD
		CON6-3	24G
		CON6-4	X5
		CON7-1	+24V
		CON7-2	YE
		CON7-3	24G
		CON7-4	X6
		CON8-1	+24V
		CON8-2	YF
		CON8-3	24G
		CON8-4	X7
		CON3-1	X2

ピン番号
Pin number

信号名
Signal name

CON1-1 +24V

CON1-2 YB

CON1-3 24G

CON1-4 X0

CON2-1 +24V

CON2-2 YB

CON2-3 24G

CON2-4 X1

CON3-1 +24V

CON3-2 YA

CON3-3 24G

CON3-4 X2

ユニット正面から見た場合
Viewed from the front of the module