

Before Using the Product

Before using the product, please read this manual. Make sure that the end users read this manual and then keep the manual in a safe place for future reference.

■ Relevant manuals

Before using the product, please read the Safety Guidelines included with the base unit used, especially the following sections.

- SAFETY PRECAUTIONS
- CONDITIONS OF USE FOR THE PRODUCT
- EMC AND LOW VOLTAGE DIRECTIVES
- WARRANTY

■ Manuels correspondants

Avant d'utiliser ce produit, prière de lire les "Safety Guidelines" (directive de sécurité) fournies avec l'unité de base, en particulier dans les sections suivantes.

- PRÉCAUTIONS DE SÉCURITÉ
- CONDITIONS D'UTILISATION DE PRODUIT
- DIRECTIVES CEM ET BASSE TENSION
- GARANTIE

■ Packing list

Check that the following items are included in the package of the product.

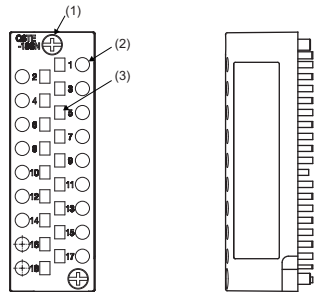
Item	Quantity
Spring clamp terminal block	1
Before Using the Product (this manual)	1

■ Compatible models

The Q6TE-18SN can be used with the following models:

Series	Module type	Model name
MELSEC iQ-R series	I/O module	RX10, RX40C7, RX40PC6H, RX40NC6H, RX40NC6B, RY10R2, RY40NT5P, RY40PT5P, RY40PT5B
	Intelligent function module	R60AD4, R60ADV8, R60ADI8, R60ADH4, R60DA4, R60DAV8, R60DAI8, R60DAH4, R60TCRT4, R60TCRT4BW
MELSEC-Q series	I/O module	QX10, QX28, QX40, QX40H, QX40-S1, QX50, QX70, QX70H, QX80, QX80H, QX90H, QY10, QY18A, QY22, QY40P, QY50, QY68A, QY70, QY80, QX48Y57, QI60
	Intelligent function module	Q62DA, Q62DAN, Q62DA-FG, Q64DAH, Q64DA, Q64DAN, Q68DAV, Q68DAVN, Q68DAI, Q68DAIN, Q62AD-DGH, Q64ADH, Q64AD, Q64AD-GH, Q68ADV, Q68ADI, Q64AD2DA, Q64TCRT, Q64TCRTBW, Q64TCRTN, Q64TCRTBN, Q64RD, Q64RD-G, QD60P8-G, Q61LD

■ Part names



No.	Name	Description
(1)	Terminal block mounting screw	A screw to fix the Q6TE-18SN to a module
(2)	Wire insertion opening	A hole into which a bar solderless terminal or wires are to be inserted when wiring (round hole)
(3)	Tool insertion opening	A hole into which a spring clamp terminal block tool is to be inserted when wiring (square hole)

■ Specifications

Item	Specifications
Maximum rated voltage, maximum rated current	Refer to the section of Wiring product.
Applicable wire size	
Wire strip length	8 to 11mm
Terminal block mounting screw tightening torque range	0.66 to 0.89N·m
Weight	0.07kg

■ Operating ambient temperature

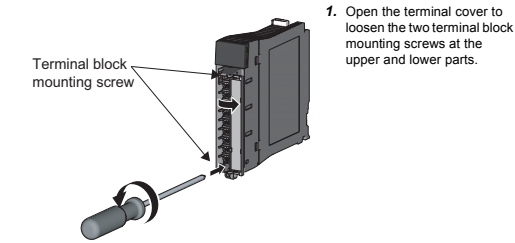
Use the product within the range of 0 to 55°C.

■ Température ambiante de fonctionnement

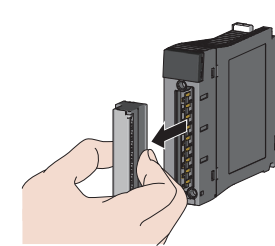
Ce produit doit être utilisé entre 0 et 55°C.

■ Installing the Q6TE-18SN

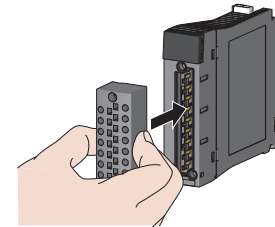
The following procedure shows how to remove the 18-point terminal block from the 18-point terminal block module, and how to install the Q6TE-18SN.



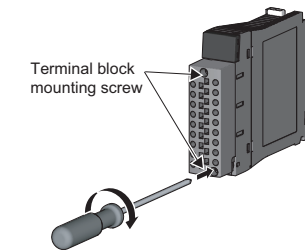
1. Open the terminal cover to loosen the two terminal block mounting screws at the upper and lower parts.



2. Remove the 18-point terminal block.



3. Remove the protective cap from the Q6TE-18SN to install it to the module. (Keep the removed protective cap without discarding it. This cap is required to protect the terminal parts when the Q6TE-18SN is not used.)



4. Tighten the two terminal block mounting screws at the upper and lower parts.

■ Wiring of the Q6TE-18SN

◆ Precautions for installing and removing cables

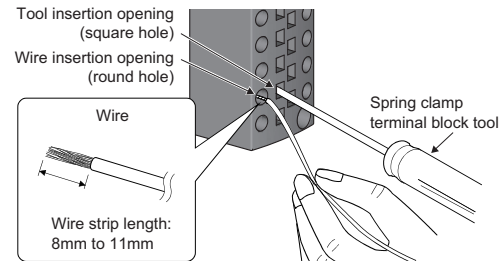
- Adjust the wire strip length as described in the specifications. A too long wire strip length causes its conductive part to be exposed to the front of the terminal block, where an electric shock or a short circuit between adjacent terminals may occur. Conversely, a too short wire strip length may cause a poor contact between the wire and the spring clamp terminal part.
- Do not use the wire with a soldered tip. Depending on the soldered state, a poor contact or non-insertable and non-removable state may result between the wire and the spring clamp terminal part.

◆ Precautions for using the spring clamp terminal tool

- Observe the following precautions when using the spring clamp terminal tool. Not doing so may damage the spring clamp terminal parts or terminal block resin parts.
- Be sure to use the dedicated spring clamp terminal block tool.
- Do not insert bar solderless terminals or wires before inserting the spring clamp terminal block tool into a tool insertion opening.
- Insert the spring clamp terminal block tool vertically into a tool insertion opening.

◆ How to install cables

1. When using a bar solderless terminal, crimp it properly according to the usage of the solderless terminal used. When using wires (solid or stranded), strip the wire coating so that its length meets the specifications.
2. Securely insert the spring clamp terminal block tool in the vertical direction deep into a tool insertion opening (square hole) of the Q6TE-18SN.
3. Insert a bar solderless terminal or wire into a wire insertion opening (round hole), and pull out the spring clamp terminal block tool.



4. After completing the connection, check that the bar solderless terminal or wire is firmly crimped by pulling it lightly.

◆ How to remove cables

1. Securely insert the spring clamp terminal block tool in the vertical direction deep into a tool insertion opening (square hole) of the Q6TE-18SN.
2. Pull out the bar solderless terminal or wire.

■ Terminal layout

The terminal numbers of the Q6TE-18SN are corresponding to that of the compatible modules.

For the signal names corresponding to each terminal number when external devices are connected, refer to the user's manual for the module used.

■ Wiring product

■ Produits pour câblage

When wiring, use the following wire.

Terminal block	Wire	Maximum rated voltage, maximum rated current
Spring clamp terminal block	Wire diameter 0.3 to 1.5mm ² (22 to 16 AWG)	264VAC 125VDC 8A (terminal No.: 17) 4A (terminal No.: 1 to 16, 18)

Pour le câblage, utiliser les fils prescrits.

Plaque à bornes	Fil	Tension maximale nominale, courant nominal maximal
Pince à ressort plaque à bornes	Diamètre 0,3 à 1,5mm ² (22 à 16 AWG)	264VAC 125VDC 8A (Borne N°: 17) 4A (Borne N°: 1 à 16, 18)

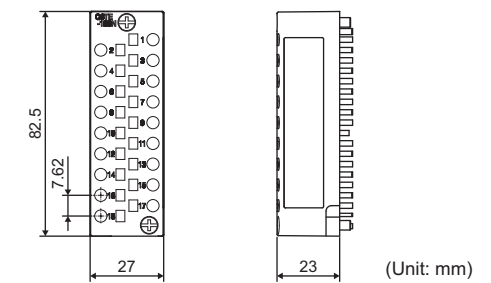
■ List of reference products

Product	Model name	Applicable wire size	Bar solderless terminal tool	Manufacturer
Spring clamp terminal block tool	KD-5339	—	—	Mitsubishi Electric System & Service Co., Ltd.
Bar solderless terminal ¹	TE 0.5-8, TE 0.5-10	0.3mm ² to 0.5mm ² (22 AWG)	NH79	NICHIFU Co., Ltd.
	TE 0.75-8, TE 0.75-10	0.75mm ² (20 AWG)		
	TE 1.0-8, TE 1.0-10	1.0mm ² (18 AWG)		
	TE 1.5-8, TE 1.5-10	1.5mm ² (16 AWG)		

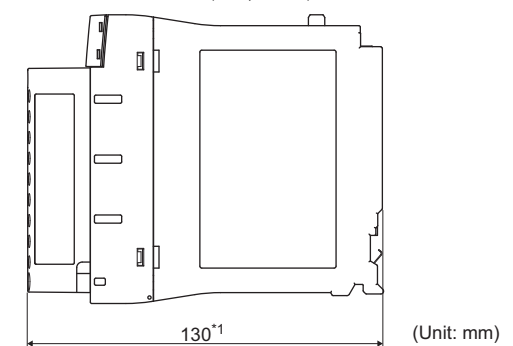
¹ Used when performing terminal processing of the wire to insert it into the Q6TE-18SN.

■ External dimensions

◆ Q6TE-18SN

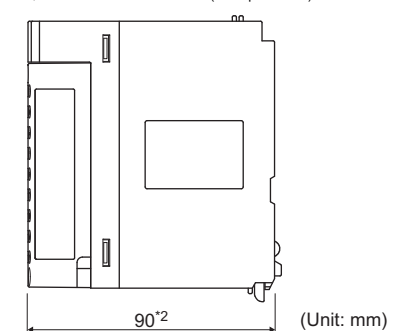


◆ When mounted to a module (Example: RX10)



¹ When mounted to the MELSEC iQ-R series module, the depth dimension is up to 1mm shorter than the condition that an installed terminal block at factory default is mounted.

◆ When mounted to a module (Example: QX10)



² When mounted to the MELSEC-Q series module, the depth dimension is equivalent with the condition that an installed terminal block at factory default is mounted.

■ Information and services

For further information and services, please consult your local Mitsubishi representative.