

# MITSUBISHI

## TRANSISTORIZED INVERTER

### FR-A200E, FR-A100E Series

### Installation Interchange Attachment

### < FR-A5AT01, FR-A5AT02, FR-A5AT03, FR-A5AT04, FR-A5AT05 >

#### Safety Precautions

- ⚠ The inverter and attachment will be hot while the power is ON and for a short time after the power is turned OFF. Touching these could cause burns.
- ⚠ Transport the product with the correct method according to the product weight. Failure to observe this could lead to injuries. Take special care with the edge areas.

This product allows the mounting holes to be used as they are when the inverter is changed for the one of the different series.

- When using the mounting holes of the FR-A200E series to mount the FR-A500 series.
- When using the mounting holes of the FR-A100E series to mount the FR-F500 series.

#### 1. Preparation

- (1) Confirm the attachment type.
- (2) The following parts are enclosed in the package. Confirm the contents and quantities.

No.	Name	Attachment type				
		FR-A5AT01	FR-A5AT02	FR-A5AT03	FR-A5AT04	FR-A5AT05
1)	Installation interchange panel	1	1	1	1	1
2)	Installation screws	4 (M5)	4 (M5)	4 (M5)	4 (M8)	4 (M10)

- (3) Applicable inverter

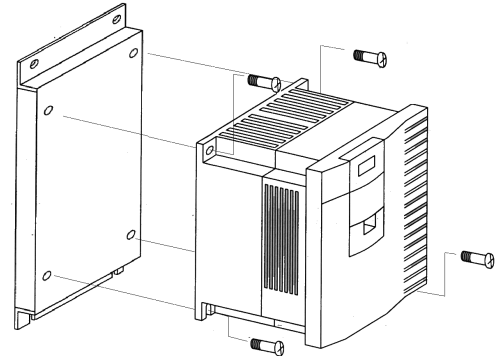
Attachment type	Mountable models				Compatible former models			
	FR-A520	FR-A540	FR-F520	FR-F540	FR-A220E	FR-A240E	FR-A120E	FR-A140E
FR-A5AT01	0.4K 0.75K	—	0.75K	—	0.4K 0.75K	—	0.75K	—
FR-A5AT02	1.5K	0.4K	1.5K	0.75K	1.5K	0.4K	1.5K	0.75K
	2.2K	0.75K	2.2K	1.5K	2.2K	0.75K	2.2K	1.5K
	3.7K	1.5K	3.7K	2.2K	3.7K	1.5K	3.7K	2.2K
		2.2K 3.7K		3.7K		2.2K 3.7K		3.7K
FR-A5AT03	5.5K	5.5K	5.5K	5.5K	5.5K	5.5K	5.5K	5.5K
	7.5K	7.5K	7.5K	7.5K 11K	7.5K	7.5K	7.5K	7.5K 11K
FR-A5AT04	18.5K	18.5K	22K	22K	18.5K	18.5K	22K	22K
	22K	22K			22K	22K		
FR-A5AT05	—	55K	—	55K	—	55K	—	55K

- Use the FR-AAT09 when using the mounting holes of the FR-A140E-37K to mount the FR-F540-37K.

## 2. Installation of installation interchange attachment on inverter

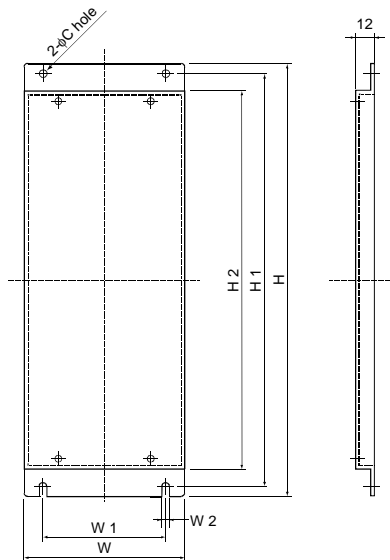
### Precautions for installation

- (1) When installing the inverter on the attachment, use the supplied installation screws.
- (2) Installing the intercompatibility attachment will make the depth up to 15mm greater than those of the FR-A200E series and FR-A100E series.
- (3) Make sure that the installation screws do not enter the inverter.
- (4) Do not use this attachment with inverters other than the applicable inverters.



## 3. Installation interchange attachment outline dimension drawing

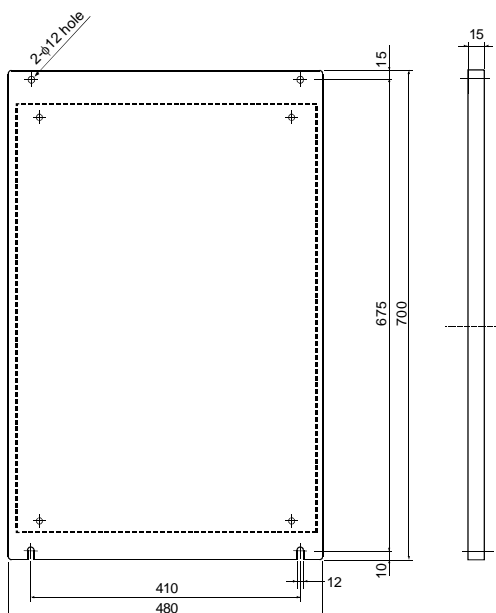
- FR-A5AT01, FR-A5AT02, FR-A5AT03, FR-A5AT04



(Unit : mm)

Type	W	W1	W2	H	H1	H2	C
FR-A5AT01	110	95	5	300	285	260	6
FR-A5AT02	150	125	5	300	285	260	6
FR-A5AT03	220	195	6	300	285	265	6
FR-A5AT04	300	280	10	450	430	404	10

- FR-A5AT05



(Unit: mm)

 **MITSUBISHI ELECTRIC CORPORATION**

HEAD OFFICE MITSUBISHI DENKI BLDG MARUNOUCHI TOKYO 100-8310