

MITSUBISHI ELECTRIC

GT27 General Description

GT2715-XTBA	GT2715-XTBD	GT2712-STBA	GT2712-STWA
GT2712-STBD	GT2712-STWD	GT2710-STBA	GT2710-STBD
GT2710-VTBA	GT2710-VTBD	GT2710-VTWD	
GT2708-STBA	GT2708-STBD	GT2708-VTBA	GT2708-VTBD
GT2705-VTBD			

Thank you for choosing Mitsubishi Electric Graphic Operation Terminal (GOT).

Prior to use, please read both this manual and the detailed manual thoroughly to fully understand the product.

MODEL	GT27-U-GD-E
Model code	1D7MI3
IB(NA)-0800502ENG-L(2008)MEE	

© 2013 MITSUBISHI ELECTRIC CORPORATION

SAFETY PRECAUTIONS

(Always read these precautions before using this equipment.)

Before using this product, please read this manual and the relevant manuals introduced in this manual carefully and pay full attention to safety to handle the product correctly.

The precautions given in this manual are concerned with this product. In this manual, the safety precautions are ranked as "WARNING" and "CAUTION".

WARNING Indicates that incorrect handling may cause hazardous conditions, resulting in death or severe injury.

CAUTION Indicates that incorrect handling may cause hazardous conditions, resulting in medium or slight personal injury or physical damage.

Note that the CAUTION level may lead to a serious accident according to the circumstances.

Always follow the instructions of both levels because they are important to personal safety.

Please save this manual to make it accessible when required and always forward it to the end user.

DESIGN PRECAUTIONS

WARNING

- Some failures of the GOT, communication unit or cable may keep the outputs on or off.
- Some failures of a touch panel may cause malfunction of the input objects such as a touch switch.
- An external monitoring circuit should be provided to check for output signals which may lead to a serious accident.
- Not doing so can cause an accident due to false output or malfunction.
- Do not use the GOT as the warning device that may cause a serious accident.
- An independent and redundant hardware or mechanical interlock is required to configure the device that displays and outputs serious warning.
- Failure to observe this instruction may result in an accident due to incorrect output or malfunction.
- The GOT backlight failure disables the operation on the touch switch(es). When the GOT backlight has a failure, the POWER LED blinks (orange/blue), the display screen dims, and inputs by a touch switch are disabled.
- The display section of the GOT is an analog-resistive type touch panel. The GOT is multi-touch compliant; however, do not touch three points or more simultaneously on the display section. Doing so may cause an accident due to incorrect output or malfunction.
- When programs or parameters of the controller (such as a PLC) that is monitored by the GOT are changed, be sure to reset the GOT, or turn on the unit again after shutting off the power as soon as possible.
- Not doing so can cause an accident due to false output or malfunction.
- If a communication fault (including cable disconnection) occurs during monitoring on the GOT, communication between the GOT and PLC CPU is suspended and the GOT becomes inoperative.
- For bus connection : The PLC CPU becomes faulty and the GOT becomes inoperative.
- For other than bus connection : The GOT becomes inoperative.
- A system where the GOT is used should be configured to perform any significant operation to the system by using the switches of a device other than the GOT on the assumption that a GOT communication fault will occur.
- Not doing so can cause an accident due to false output or malfunction.

WARNING

- To maintain the security (confidentiality, integrity, and availability) of the GOT and the system against unauthorized access, DoS¹ attacks, computer viruses, and other cyberattacks from unreliable networks and devices via network, take appropriate measures such as firewalls, virtual private networks (VPNs), and antivirus solutions.
- Mitsubishi Electric shall have no responsibility or liability for any problems involving GOT trouble and system trouble by DoS attacks, unauthorized access, computer viruses, and other cyberattacks.
- ¹ DoS: A denial-of-service (DoS) attack disrupts services by overloading systems or exploiting vulnerabilities, resulting in a denial-of-service (DoS) state.
- Products with the C.I., DIV.2 mark on the rating plate are suitable for use in Class I, Division 2, Groups A, B, C and D hazardous locations, or non-hazardous locations only.
- This mark indicates that the product is certified for use in the Class I, Division 2 environment where flammable gases, vapors, or liquids are not likely to exist under normal conditions.
- When using the products in the Class I, Division 2 environment, observe the following to reduce the risk of explosion.
 - This device is open-type and is to be installed in an enclosure suitable for the environment and require a tool or key to open.
 - Warning - Explosion Hazard - Substitution of any component may impair suitability for Class I, Division 2.
 - Warning - Explosion Hazard - Do not connect or disconnect equipment or disconnect external connection terminals unless power has been removed or the area is known to be non-hazardous.
 - The side interface, extension interface, and auxiliary extension interface of this equipment cannot be used in Class I, Division 2 environments.
 - Les produits marqués C.I., DIV.2 sur la plaque signalétique peuvent être utilisés en Classe I, Division 2, local dangereux de groupe A, B, C et D, ou uniquement en local non dangereux.
 - Ce logo indique que le produit est homologué pour utilisation en environnement de classe I, Division 2, dans des circonstances anormales, il peut y avoir présence de gaz, vapeurs ou liquides inflammables. Si le produit est utilisé en environnement de Classe I, Division 2, observer les précautions suivantes pour réduire le risque d'explosion.
 - Cet appareil est de type ouvert et il doit être installé dans une enceinte appropriée à l'environnement et ne pouvant être ouverte qu'au moyen d'une clé ou d'un outil.
 - Avertissement - Danger d'explosion - Toute substitution de composant peut compromettre l'aptitude à l'utilisation en Classe I, Division 2.
 - Avertissement - Danger d'explosion - Ne pas connecter ou déconnecter l'équipement ni déconnecter les bornes de connexion externes quand le circuit est sous tension, ni avant de s'être assuré de l'absence d'atmosphère inflammable.
 - L'interface latérale, l'interface d'extension et l'interface d'extension secondaire de cet équipement ne peuvent être utilisées dans les environnements de Classe I, Division 2.

CAUTION

- Do not bundle the control and communication cables with main-circuit, power or wiring.
- Run the above cables separately from such wiring and keep them a minimum of 100mm apart.
- Not doing so noise can cause a malfunction.
- Do not press the GOT display section with a pointed material as a pen or driver. Doing so can result in a damage or failure of the display section.
- When the GOT connects to an Ethernet network, the IP address setting is restricted according to the system configuration.
- When a GOT2000 series model and a GOT1000 series model are on an Ethernet network, do not set the IP address 192.168.0.18 for the GOTs and the controllers on this network.
- Doing so can cause IP address duplication at the GOT startup, adversely affecting the communication of the device with the IP address 192.168.0.18. The operation at the IP address duplication depends on the devices and the system.
- Turn on the controllers and the network devices to be ready for communication before they communicate with the GOT.
- Failure to do so can cause a communication error on the GOT.
- When the GOT is subject to shock or vibration, or some colors appear on the screen of the GOT, the screen of the GOT might flicker.

MOUNTING PRECAUTIONS

WARNING

- Be sure to shut off all phases of the external power supply used by the system before mounting or removing the GOT main unit to/from the panel.
- Not doing so can cause the unit to fail or malfunction.
- Be sure to shut off all phases of the external power supply used by the system before mounting or removing the communication unit or the option unit onto/from the GOT.

CAUTION

- Use the GOT in the environment that satisfies the general specifications described in this manual. Not doing so can cause an electric shock, fire, malfunction or product damage or deterioration.
- When mounting the GOT to the control panel, tighten the mounting screws in the specified torque range (0.36 N·m to 0.48 N·m) with a Phillips-head screwdriver No.2.
- Overtightening can cause the GOT to drop, short circuit or malfunction.
- Underlighting can cause a drop, short circuit or malfunction due to the damage of the screws or the unit.

CAUTION

- When mounting a unit on the GOT, tighten the mounting screws in the following specified torque range.
- When loading the communication unit or option unit other than wireless LAN unit to the GOT, fit it to the connection interface of the GOT and tighten the mounting screws in the specified torque range (0.36 N·m to 0.48 N·m) with a Phillips-head screwdriver No.2.
- When loading the wireless LAN unit to the GOT, fit it to the side interface of GOT and tighten the mounting screws in the specified torque range (0.10 N·m to 0.14 N·m) with a Phillips-head screwdriver No.1.
- When the GOT is installed vertically, its side interface is positioned on the bottom.
- To prevent the falling of the wireless LAN communication unit from the side interface, install or remove the unit while holding it with hands.
- Under tightening can cause the GOT to drop, failure or malfunction.
- Overtightening can cause a drop, failure or malfunction due to the damage of the screws or unit.
- When closing the USB environmental protection cover, fix the cover to the GOT by pushing the [PUSH] mark on the latch firmly to comply with the protective structure.
- Remove the protective film of the GOT.
- When the user continues using the GOT with the protective film, the film may not be removed.
- In addition, for the models equipped with the human sensor function, using the GOT with the protective film may cause the human sensor not to function properly.
- Do not operate or store the GOT in the environment exposed to direct sunlight, high temperature, dust, humidity, or vibrations.
- When using the GOT in the environment of oil or chemicals, use the protective cover for oil.
- Failure to do so may cause failure or malfunction due to the oil or chemical entering into the GOT.

WIRING PRECAUTIONS

WARNING

- Be sure to shut off all phases of the external power supply used by the system before wiring.
- Failure to do so may result in an electric shock, product damage or malfunctions.

CAUTION

- Make sure to ground the FG terminal and LG terminal of the GOT power supply section solely for the GOT (ground resistance: 100 Ω or less, ground cable diameter: 1.6 mm or more).
- Not doing so may cause an electric shock or malfunction.
- When tightening the terminal screws, use a Phillips-head screwdriver No.2.
- Terminal screws which are not to be used must be tightened always at torque 0.5 N·m to 0.8 N·m.
- Otherwise there will be a danger of short circuit against the solderless terminals.
- Use applicable solderless terminals and tighten them with the specified torque.
- If any solderless spade terminal is used, it may be disconnected when the terminal screw comes loose, resulting in failure.
- Correctly wire the GOT power supply section after confirming the rated voltage and terminal arrangement of the product.
- Not doing so can cause a fire or failure.
- Tighten the terminal screws of the GOT power supply section in the specified torque range (0.5 N·m to 0.8 N·m). Overtightening can cause a short circuit or malfunction.
- Exercise care to avoid foreign matter such as chips and wire offcuts entering the GOT.
- Not doing so can cause a fire, failure or malfunction.
- The module has an ingress prevention label on its top to prevent foreign matter, such as wire offcuts, from entering the module during wiring.
- Do not peel this label during wiring.
- Before starting system operation, be sure to peel this label because of heat dissipation.
- Plug the communication cable into the GOT interface or the connector of the connected unit, and tighten the mounting screws and the terminal screws in the specified torque range.
- Underlighting can cause a short circuit or malfunction.
- Overtightening can cause a short circuit or malfunction due to the damage of the screws or unit.
- Plug the QnA/ACPU/Motion controller (A series) bus connection cable by inserting it into the connector of the connected unit until it "clicks".
- After plugging, check that it has been inserted snugly.
- Not doing so can cause a malfunction due to a contact fault.

TEST OPERATION PRECAUTIONS

WARNING

- Before testing the operation of a user-created monitor screen (such as timing on or off a bit device, changing the current value of a word device, changing the set value or current value of a timer or counter, and changing the current value of a buffer memory), thoroughly read the manual to fully understand the operating procedures.
- During the test operation, never change the data of the devices which are used to control the signal or the fire.
- False output or malfunction can cause an accident.

STARTUP/MAINTENANCE PRECAUTIONS

WARNING

- When power is on, do not touch the terminals.
- Doing so can cause an electric shock.
- Correctly connect the battery connector.
- Do not charge, disassemble, heat, short-circuit, solder, or throw the battery into the fire. Doing so will cause the battery to produce heat, explode, or ignite, resulting in injury and fire.
- Before starting cleaning or terminal screw retightening, always switch off the power externally in all phases. Not switching the power off in all phases can cause a unit failure or malfunction.
- Overtightening can cause a drop, short circuit or malfunction due to the damage of the screws or unit.

CAUTION

- Do not disassemble or modify the unit.
- Doing so can cause a failure, malfunction, injury or fire.
- Do not touch the conductive and electronic parts of the unit directly.
- Doing so can cause a unit malfunction or failure.
- The cables connected to the unit must be run in ducts or clamped.
- Not doing so can cause the unit or cable to be damaged due to the dangling, motion or accidental pulling of the cables or can cause a malfunction due to a cable connection fault.
- When unplugging the cable connected to the unit, do not hold and pull from the cable portion. Doing so can cause the unit or cable to be damaged or can cause a malfunction due to a cable connection fault.
- Do not drop the module or subject it to strong shock.
- A module damage may result.
- Do not drop or give an impact to the battery mounted to the unit.
- Doing so may damage the battery, causing the battery fluid to leak inside the battery.
- If the battery is dropped or given an impact, dispose of it without using.
- Before touching the unit, always touch grounded metals, etc. to discharge static electricity from human body, etc.
- Not doing so can cause the unit to fail or malfunction.
- Use the battery manufactured by Mitsubishi Electric Corporation.
- Use of other batteries may cause a risk of fire or explosion.
- Dispose of used battery promptly.
- Keep away from children.
- Do not disassemble and do not dispose of in fire.
- Be sure to shut off all phases of the external power supply before replacing the battery or using the dip switch of the terminating resistor.
- Not doing so can cause the unit to fail or malfunction by static electricity.

TOUCH PANEL PRECAUTIONS

CAUTION

- For the analog-resistive film type touch panels, normally the adjustment is not required.
- However, the difference between a touched position and the object position may occur as the period of use elapses.
- When any difference between a touched position and the object position occurs, execute the touch panel calibration.
- When any difference between a touched position and the object position occurs, other object may be activated.
- This may cause an unexpected operation due to incorrect output or malfunction.

PRECAUTIONS WHEN THE DATA STORAGE IS IN USE

WARNING

- If the SD card is removed from drive A of the GOT while being accessed by the GOT, the data storage may stop processing data for about 20 seconds.
- The GOT cannot be operated during this period.
- The functions that run in the background including a screen updating, alarm, logging, scripts, and others are also interrupted.
- Since this interruption makes an impact to the system operation, it might cause failure.
- This may cause an unexpected operation due to incorrect output or malfunction.
- Check that the SD card access LED is off before removing the SD card.

CAUTION

- If the data storage is removed from the GOT while being accessed by the GOT, the data storage and files may be damaged.
- Before removing the data storage from the GOT, check the SD card access LED, signal system, or others to make sure that the data storage is not accessed.
- Turning off the GOT while it accesses the SD card results in damage to the SD card and files.
- After inserting an SD card into the GOT, make sure to close the SD card cover.
- Not doing so causes the data not to be read or written.
- When removing the SD card from the GOT, make sure to support the SD card by hand as it may pop out.
- Not doing so may cause the SD card to drop from the GOT, resulting in a failure or break.
- When inserting a USB device into a USB interface of the GOT, make sure to insert the device into the interface firmly.
- Not doing so can cause a malfunction due to a contact failure.
- Before removing the data storage from the GOT, follow the procedure for removal on the utility screen of the GOT.
- After the successful completion dialog is displayed, remove the data storage by hand carefully.
- Not doing so may cause the data storage to drop from the GOT, resulting in a failure or break.

PRECAUTIONS FOR USE

CAUTION

- Do not touch the outer edge of the actual display area repeatedly.
- Doing so may result in a failure.
- Do not turn off the GOT while data is being written to the storage memory (ROM) or SD card.
- Doing so may corrupt the data, rendering the GOT inoperative.

PRECAUTIONS FOR REMOTE CONTROL

WARNING

- Remote control is available through a network by using GOT functions, including the SoftGOT-GOT link function, the remote personal computer operation function, the VNC server function, and the GOT Mobile function.
- If these functions are used to perform remote control of control equipment, the field operator may not notice the remote control, possibly leading to an accident.
- In addition, a communication delay or interruption may occur depending on the network environment, and remote control of control equipment cannot be performed normally in some cases.
- Before using the above functions to perform remote control, fully grasp the circumstances of the field site and ensure safety.

PRECAUTIONS FOR EXCLUSIVE AUTHORIZATION CONTROL

WARNING

- Make sure to fully understand the GOT network interaction function before using this function to control the authorization among pieces of equipment to prevent simultaneous operations.
- The exclusive authorization control of the GOT network interaction function can be enabled or disabled for each screen.
- (For all screens, the exclusive authorization control is disabled by default.)
- Properly determine the screens for which the exclusive authorization control is required, and set the control by screen.
- A screen for which the exclusive authorization control is disabled can be operated simultaneously from pieces of equipment.
- Make sure to determine the operation period for each operator, fully grasp the circumstances of the field site, and ensure safety to perform operations.

DISPOSAL PRECAUTIONS

CAUTION

- When disposing of this product, treat it as industrial waste.
- When disposing of batteries, separate them from other wastes according to the local regulations.
- (Refer to the GOT2000 Series User's Manual (Hardware) for details of the battery directive in the EU member states.)

TRANSPORTATION PRECAUTIONS

CAUTION

- When transporting lithium batteries, make sure to treat them based on the transport regulations.
- (Refer to the GOT2000 Series User's Manual (Hardware) for details of the regulated models.)
- Make sure to transport the GOT main unit and/or relevant unit(s) in the manner they will not be exposed to the impact exceeding the impact resistance described in the general specifications of this manual, as they are precision devices.
- Failure to do so may cause the unit to fail.
- Check if the unit operates correctly after transportation.
- When fumigants that contain halogen materials such as fluorine, chlorine, bromine, and iodine are used for disinfecting and protecting wooden packaging from insects, they cause malfunction when entering our products. Please take necessary precautions to ensure that remaining materials from fumigant do not enter our products, or treat packaging with methods other than fumigation (heat method).
- Additionally, disinfect and protect wood from insects before packing products.

Manuals

The following shows manuals relevant to this product.

Manual name	Manual number (Model code)
GOT2000 Series User's Manual (Hardware)	SH-081194ENG (1D7MJ5)
GOT2000 Series User's Manual (Utility)	SH-081195ENG (1D7MJ6)

For detailed manuals and relevant manuals, refer to the e-Manual or PDF manuals stored in the DVD-ROM for the screen design software used.

The latest manuals are also available from MITSUBISHI ELECTRIC FA Global Website (www.MitsubishiElectric.com/fa).

Referenced Standard: GB/T15969.2
(Requirement of Chinese standardized law)

Before using the GOT

Connect the connector of the GOT to the connector of the battery. Refer to the GOT2000 Series User's Manual (Hardware) for the connection instructions.

For details on the GOT specifications, installing instructions, wiring, maintenance and inspection, or checking procedure for the version and the compatible standard, refer to the GOT2000 Series User's Manual (Hardware).

Packing List

The GOT product package includes the following:

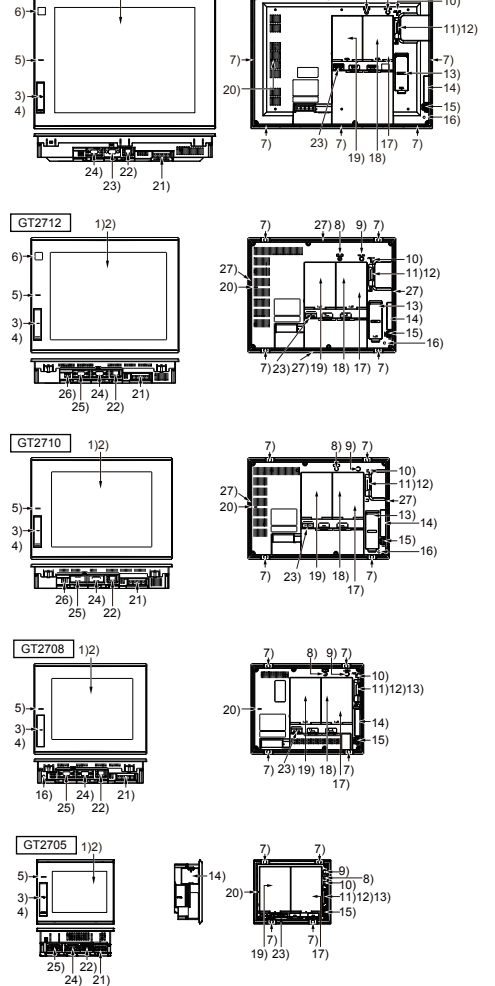
Description	Quantity
GT27	1
Battery (GT11-50BAT) (Attached to the GOT)	1
Installation fitting	4, 8(Only GT2715)
GT27 General Description (This manual)	1
GT27 本体概要説明書	1
GOT2000 Series Supplementary Description (Compliance with the ATEX Directive)	1(Only GT2712-STWD, GT2710-VTWD)
GOT2000 시리즈 보충 설명 (KCs 지침 준수)	1(Only GT2712-STWD, GT2710-VTWD)

- 1. FEATURES**
- Abundant standard equipment.
 - Variety of connection with FA devices
 - SD card interface compatible with the SDHC card having a large capacity and allowing high-speed communication
 - Connection with various peripheral devices with the USB host
 - Improved usability.
 - Abundant troubleshooting
 - Easy and clear screen creation
 - PC-like operation screen
 - Multi-touch function, Gesture function
 - Support for the vertical installation
 - Enhanced compatibility with Mitsubishi Electric FA devices
 - Easy replacement
 - LED backlight

(6) External controllers including multimedia and video supported (excluding GT2705)
(7) Various extended functions supported

2. Part Names and Settings

The following shows the part names for GT2715, GT2712, GT2710, GT2708 and GT2705.



No.	Name	Description
1)	Display screen	Displays the utility and the user-created screen.
2)	Touch Panel	For operating the touch switches in the utility and the user-created screen
3)	USB interface (Host/Front face)	For connecting a USB mouse, a USB keyboard, or a USB barcode reader, and transferring or saving data (Connector shape: TYPE-A) (Only GT2715-XTBA/D, GT2712-STBA/D, GT2710-STBA/D, GT2710-VTBA/D, GT2708-STBA/D, GT2708-VTBA/D, GT2705-VTBD)
4)	USB interface (Device/Front face)	For connecting a personal computer (Connector shape: Mini-B) (Only GT2715-XTBA/D, GT2712-STBA/D, GT2710-STBA/D, GT2710-VTBA/D, GT2708-STBA/D, GT2708-VTBA/D, GT2705-VTBD)
5)	POWER LED	Lit in blue : Power is properly supplied. Lit in orange : Screen saving Blink in orange/blue : Backlight failure Not lit : Power is not supplied
6)	Human sensor	Detects human movement.(Only GT2715, GT2712)
7)	Unit installation fitting	Mounting fixtures for fixing the GOT to the control panel
8)	Reset switch	Hardware reset switch
9)	Installation switch	Used for OS installations at the GOT startup

No.	Name	Description
10)	SD card access LED	Lit : SD card mounted Blinking : SD card accessed No lit : SD card not mounted or SD card mounted (removable)
11)	SD card interface	For installing a SD card
12)	SD card cover	With a switching function for accepting and stopping the access to the SD card When the cover is opened : Access is prohibited When the cover is closed : Access is allowed
13)	Battery holder	Houses the battery
14)	Side interface	For installing a communication unit
15)	USB interface (Host/Back face)	For connecting a USB mouse, a USB keyboard, or a USB barcode reader, and transferring or saving data (Connector shape: TYPE-A)
16)	Hole for attaching a cable clamp	Hole for attaching a cable clamp for preventing USB cable from being pulled out (Recommended product: SKB-132PWD of SK KOKHI CO., LTD. or corresponding product)
17)	Terminating resistor setting switch (Inside cover)	For switching on and off of the terminating resistor for the RS-422/485 communication port (Default: Off)
18)	Auxiliary extension interface	For installing an option unit
19)	Extension interface ¹⁾	For installing a communication unit or an option unit
20)	Vertical installation arrow mark	For the vertical installation, install the GOT so that the arrow points upward.
21)	Power terminal	Power input terminal, LG terminal, FG terminal
22)	Ethernet interface	For communicating with a controller or connecting a personal computer (Connector shape: RJ-45 (modular jack))
23)	Ethernet communication status LED	SD/RD LED ON: Data sent or received SD/RD LED OFF: Data not sent or received SPEED LED ON: Communicating at 100 Mbps SPEED LED OFF: Communicating at 10 Mbps or disconnected
24)	RS-232 interface	For communicating with a controller (Connector shape: D sub 9-pin (male))
25)	RS-422/485 interface	For communicating with a controller (Connector shape: D sub 9-pin (female))
26)	USB interface (Device/Back face)	For connecting personal computers (Connector shape: Mini-B) (Only GT2712-STWA/D, GT2710-VTWA/D)
27)	Special installation fitting mounting hole ²⁾	For fixing the GOT to the control panel to make the GOT conform to the ATEX/KCs standard. (Only GT2712-STWA/D, GT2710-VTWA/D)

¹⁾GT2705-V when used, for using multiple extension units, a barcode reader or an RFID controller, the total current for the extension units, barcode reader or RFID controller must be within the current that the GT2705-V can supply, refer to the following GOT2000 Series User's Manual.

²⁾Special installation fittings are sold separately. If you need the special installation fittings, consult your local sales office.

3. Specifications

Item	Specifications
Operating ambient temperature ¹⁾ Temperatura ambiente de funcionamiento ¹⁾ Storage ambient temperature	0 to 55°C ²⁾ 0 a 55°C ²⁾
Operating ambient humidity Storage ambient humidity	10 to 90% RH, non-condensing 10 to 90% RH, non-condensing
Vibration resistance	Compliant with JIS B 3502 and IEC 61131-2 5 to 8.4Hz : 9.8m/s ² 8.4 to 150Hz : 4.9m/s ²
Shock resistance	Compliant with JIS B 3502 and IEC 61131-2 147 m/s ² (15G), 3 times each in X, Y and Z directions
Operating atmosphere	No greasy films, corrosive gas, flammable gas ³⁾ , excessive conductive dust, and direct sunlight (Same as storage atmosphere)
Operating altitude ³⁾ Installation location	2000 m (6562 ft) max. Inside control panel
Overvoltage category ⁴⁾ Pollution degree ⁵⁾ Cooling method	II or less 2 or less Self-cooling
Grounding	Grounding with a ground resistance of 100 Ω or less by using a ground cable that has a cross-sectional area of 2 mm ² or more. If possible, connect the ground cable to the control panel.

¹⁾The operating ambient temperature includes the temperature inside the enclosure of the control panel to which the GOT is installed.
La temperatura ambiente de funcionamiento incluye la temperatura a l'intérieur du boîtier du tableau de commande sur lequel le GOT est installé.

²⁾When any of the following units and option is mounted on the GOT, the maximum operating ambient temperature must be 5°C lower than the one described above.
- MELSECNET/II communication unit (GT15-J1LP23-25 or GT15-J1BR13)
- CC-Link communication unit (GT15-J61BT13)
- Protective cover for oil

Lors du montage du module ou de l'option suivant, la température ambiante de fonctionnement doit être réduite de 5°C par rapport aux valeurs maximales dans les spécifications générales.
- Module multimedia (GT27-MMR-Z)
- Module de communication MELSECNET/II (GT15-J1LP23-25, GT15-J1BR13)
- Module de communication CC-Link (GT15-J61BT13)
- Couverture de protection contre l'huile

³⁾Do not use or store the GOT under pressure higher than the atmospheric pressure of altitude 0m (0ft).
Failure to observe this instruction may cause a malfunction.
When an air purge is made inside the control panel by adding pressure, there may be a clearance between the surface sheet and the screen making it difficult to use the touch panel, or the sheet may come off.

⁴⁾This indicates the section of the power supply to which the equipment is assumed to be connected between the public electrical power distribution network and the machinery within the premises.
Category II applies to equipment for which electrical power is supplied from fixed facilities.
The surge voltage withstand level for up to the rated voltage of 300 V is 2500 V.

⁵⁾This index indicates the degree to which conductive material is generated in the environment where the equipment is used.
In pollution degree 2, only non-conductive pollution occurs but temporary conductivity may be produced due to condensation.

⁶⁾Some models have ANS/ISA 12.12.01, C22.2 No.213-M1987 hazardous locations. For the details, please contact your local sales office.

Point
Refer to the GOT2000 Series User's Manual (Hardware) for details on the performance specifications of each GOT.

3.2 Power Supply Specifications

The following indicates the power supply specifications for GT27.

Note	Specifications
Operation at momentary failure • If an instantaneous power failure occurs in the power supply and continues for more than the permissible period, the GOT will be reset. • Make sure to power on the unit more than 5 seconds after power-off.	

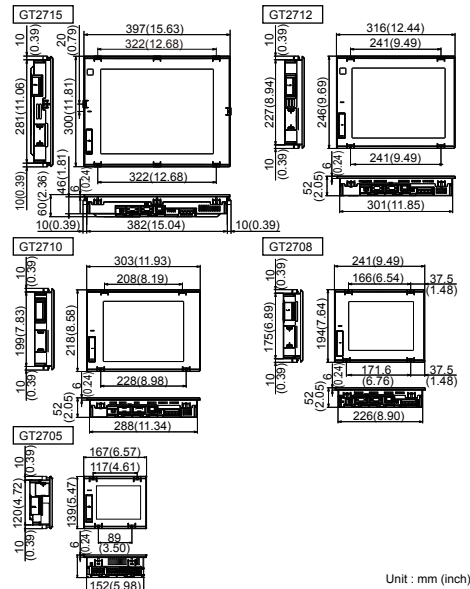
3.2.1 For GOTs powered from the 100 to 240VAC power supply

Item	Specifications				
	GT2715-XTBA	GT2712-STBA-STWA	GT2710-VTBA-GT2710-VTWA	GT2708-STBA	GT2708-VTBA
Power supply voltage	AC100 to 240VAC (+10%, -15%)				
Power frequency	50/60Hz ± 5%				
Max. apparent power	140VA	140VA	100VA		
Power consumption	maximum load 51W or less Stand alone 25W	44W or less 19W	41W or less 17W		15W
Inrush current	60A or less (2ms, operating ambient temperature 25, maximum load)				
Allowable momentary power failure time	20 ms or less (100VAC or more)				
Noise immunity	1,500V-p noise voltage, 1μs noise width (when measuring with a noise simulator under 25 to 60Hz noise frequency)				
Dielectric withstand voltage	1500VAC for 1 minute across power terminals and earth				
Insulation resistance	10M or more across power terminals and earth by a 500V DC insulation resistance tester				
Applicable wire size	0.75[mm ²] to 2[mm ²]				
Applicable solderless terminal	Solderless terminal for M3 screw RAV1.25-3, V2-S3.3, V2-N3A, FV2-N3A				
Applicable tightening torque (Terminal block terminal screw)	0.5[N·m] to 0.8[N·m]				

3.2.2 For GOTs powered from the 24VDC power supply

Item	Specifications				
	GT2715-XTBD	GT2712-STBD	GT2710-VTBD-GT2710-VTWD	GT2708-STBD	GT2708-VTBD
Power supply voltage	DC24V (+25%, -20%)				
Power consumption	maximum load 48W or less Stand alone 23W	45W or less 18W	42W or less 15W	39W or less 13W	30W or less 7W
Inrush current	5A or less (20ms, operating ambient temperature 25, maximum load)				
Allowable momentary power failure time	10 ms or less				
Noise immunity	500V-p noise voltage, 1μs noise width (when measuring with a noise simulator under 25 to 60Hz noise frequency)				
Dielectric withstand voltage	350VAC for 1 minute across power terminals and earth				
Insulation resistance	10M or more across power terminals and earth by a 500V DC insulation resistance tester				
Applicable wire size	0.75[mm ²] to 2[mm ²]				
Applicable solderless terminal	Solderless terminal for M3 screw RAV1.25-3, V2-S3.3, V2-N3A, FV2-N3A				
Applicable tightening torque (Terminal block terminal screw)	0.5[N·m] to 0.8[N·m]				

3.3 External Dimensions



Unit : mm (inch)

4. EMC AND LOW VOLTAGE DIRECTIVE

For the products sold in European countries, the conformance to the EMC Directive, which is one of the European Directives, has been a legal obligation since 1996. Also, conformance to the Low Voltage Directive, another European Directives, has been a legal obligation since 1997.

Manufacturers who recognize their products must conform to the EMC and Low Voltage Directive are required to declare that their products conform to these Directives and put a "CE mark" on their products.

- Authorized representative in Europe
- Authorized representative in Europe is shown below.
- Name :Mitsubishi Electric Europe BV
- Address :Mitsubishi-Electric-Platz 1, 40882 Ratingen, Germany

4.1 Requirements to Meet EMC Directive

EMC Directives are those which require "any strong electromagnetic force is not output to the external. Emission (electromagnetic interference)" and "it is not influenced by the electromagnetic wave from the external. Immunity (electromagnetic sensitivity)".

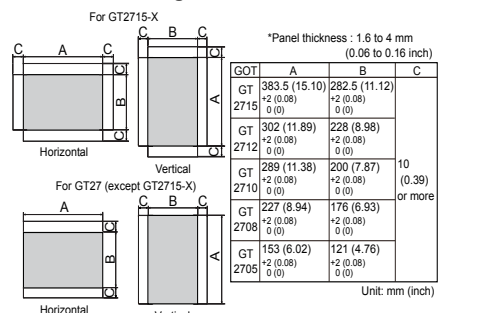
Items 4.1.1 through 4.1.3 summarize the precautions to use GOT and configure the mechanical unit in order to match the EMC directives. Though the data described herein are produced with our best on the basis of the requirement items and standards of the restrictions gathered by Mitsubishi Electric, they do not completely guarantee that all mechanical unit manufactured according to the data do not always match the above.

4.1.1 EMC directive

The standards of the EMC Directive are shown below.

Applied standard	Test standard	Test details	Standard value
EN61131-2 : 2007	CISPR16-2-3 Radiated noise ¹	Electromagnetic emissions from the product are measured.	30M-230MHz QP: 30dB μ V/m (30m in measurement range) ^{2, 3} 230M-1000MHz QP: 37dB μ V/m(30m in measurement range) ^{2, 3}
	CISPR16-2-1 Conducted noise ¹	Electromagnetic emissions from the product to the power line is measured.	150k-500kHz QP: 79dB, Mean: 66dB ² 500k-30MHz QP: 73dB, Mean: 60dB ²
	IEC61000-4-2 Electrostatic immunity ¹	Immunity test in which static electricity is applied to the cabinet of the equipment.	\pm 4KV Contact discharge \pm 8KV Aerial discharge
	IEC61000-4-3 Radiated electromagnetic field AM modulation	Immunity test in which field is irradiated to the product.	80-1000MHz: 10V/m 1.4-2GHz: 3V/m 2.0-2.7GHz: 1V/m 80%AM modulation@1kHz

5.2 Panel Cutting Dimensions



5.3 Mounting Position

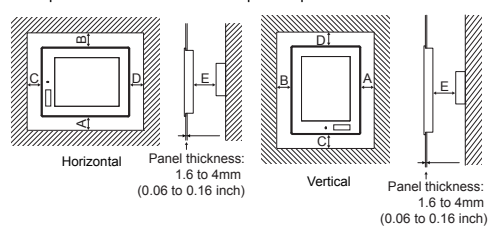
When mounting the GOT, the following clearances must be maintained from other structures and devices.

Some cables may need to be longer than the specified dimensions when connecting to the GOT.

Therefore, consider the connector dimensions and bending radius of the cable as well for installation.

For the lead-in allowance for cables at the bottom of the GOT, refer to the GOT2000 Series User's Manual (Hardware).

For the vertical installation, install the GOT so that the vertical installation arrow printed on the GOT rear face points upward.



According to the dimensions in the following table, leave clearances between the GOT and the other devices. The values enclosed in square brackets apply to the case where no other equipment generating radiated noise (such as a contactor) or heat is installed near the GOT. However, keep the ambient temperature of the GOT to 55°C or lower.

Item	GT2715	GT2712	GT2710	GT2708	GT2705
GOT only	48(1.89) or more[18(0.71) or more]	48(1.89) or more[18(0.71) or more]	48(1.89) or more[18(0.71) or more]	48(1.89) or more[18(0.71) or more]	59(2.32) or more
Ethernet communication unit is fitted	48(1.89) or more[18(0.71) or more]				
Bus connection unit is fitted	48(1.89) or more[18(0.71) or more]	48(1.89) or more[18(0.71) or more]	23(0.91) or more [29(1.14) or more]	48(1.89) or more	48(1.89) or more
Serial connection unit is fitted	48(1.89) or more[18(0.71) or more]				
CC-Link communication unit (GT15-J61B13) fitted	48(1.89) or more[18(0.71) or more]				
MELSECNET/H communication unit (coaxial) fitted ¹	48(1.89) or more [18(0.71) or more]	48(1.89) or more [18(0.71) or more]	48(1.89) or more [45(1.77) or more]	67(2.64) or more	81(3.19) or more
MELSECNET/H communication unit (optical) fitted ²	48(1.89) or more[18(0.71) or more]				
CC-Link IE TSN communication unit is fitted	48(1.89) or more[18(0.71) or more]				
CC-Link IE Controller Network communication unit fitted	48(1.89) or more[18(0.71) or more]				
CC-Link IE Field Network communication unit fitted	48(1.89) or more[18(0.71) or more]				
Video input unit fitted ¹	48(1.89) or more [18(0.71) or more]	48(1.89) or more [18(0.71) or more]	48(1.89) or more [45(1.77) or more]	67(2.64) or more	-
RGB input unit fitted ³	48(1.89) or more[18(0.71) or more]				
Video/RGB input unit fitted ^{1,3}	48(1.89) or more [18(0.71) or more]	48(1.89) or more [18(0.71) or more]	48(1.89) or more [45(1.77) or more]	67(2.64) or more	-

Applied standard	Test standard	Test details	Standard value
EN61131-2 : 2007	IEC61000-4-4 Fast transient burst noise ¹	Immunity test in which burst noise is applied to the power line and signal lines.	Power line: 2kV Digital I/O: 1kV Analog I/O: 1kV Signal lines: 1kV
	IEC61000-4-5 Surge immunity ¹	Immunity test in which lightning surge is applied to the product.	AC power type Power line (between line and ground): \pm 2kV Power line (between lines): \pm 1kV Data communication port: \pm 1kV DC power type Power line (between line and ground): \pm 0.5kV Power line (between lines): \pm 0.5kV Data communication port: \pm 1kV
EN61131-2 : 2007	IEC61000-4-6 Conducted RF immunity ¹	Immunity test in which a noise induced on the power and signal lines is applied.	Power line: 10V Data communication port: 10V
	IEC61000-4-8 Power supply frequency magnetic field immunity	Test for checking normal operations under the circumstance exposed to the ferromagnetic field noise of the power supply frequency (50/60Hz).	30 A/m
	IEC61000-4-11 Instantaneous power failure and voltage dips immunity	Test for checking normal operations at instantaneous power failure.	AC power type 0.5 cycle 0% (interval 1 to 10s) 250/300 cycle 0% 10/12 cycle 40% 25/30 cycle 70%

¹: The GOT is an open type device (device installed to another device) and must be installed in a conductive control panel.
The above test items are conducted in the condition where the GOT is installed on the conductive control panel and combined with the Mitsubishi Electric PLC.
²: QP (Quasi-Peak): Quasi-peak value, Mean: Average value
³: The above test items are conducted in the following conditions.
30M-230MHz QP : 40dB μ V/m (10m in measurement range)
230M-1000MHz QP : 47dB μ V/m (10m in measurement range)

4.1.2 Control panel

The GOT is an open type device (device installed to another device) and must be installed in a conductive control panel.
It not only assure the safety but also has a large effect to shut down the noise generated from GOT, on the control panel.

(1) Control Panel

- The control panel must be conductive.
- When fixing a top or bottom plate of the control panel with bolts, do not coat the plate and bolt surfaces so that they will come into contact.
And connect the door and box using a thick grounding cable in order to ensure the low impedance under high frequency.
- When using an inner plate to ensure electric conductivity with the control panel, do not coat the fixing bolt area of the inner plate and control panel to ensure conductivity in the largest area as possible.
- Ground the control panel using a thick grounding cable in order to ensure the low impedance under high frequency.
- The diameter of cable holes in the control panel must be 10cm (3.94in.). In order to reduce the chance of radio waves leaking out, ensure that the space between the control panel and its door is small as possible.
Paste the EMI gasket directly on the painted surface to seal the space so that the leak of electric wave can be suppressed.
Our test has been carried out on a panel having the damping characteristics of 37dB max. and 30dB mean (measured by 3m method with 30 to 300MHz).

(2) Connection of power and ground wires

- Ground and power supply wires for the GOT must be connected as described below.
- Provide a grounding point near the GOT. Short-circuit the LG and FG terminals of the GOT (LG: line ground, FG: frame ground) and ground them with the thickest and shortest wire possible (The wire length must be 30cm (11.81in.) or shorter.)
The LG and FG terminals function is to pass the noise generated in the PC system to the ground, so an impedance that is as low as possible must be ensured. As the wires are used to relieve the noise, the wire itself carries a large noise content and thus short wiring means that the wire is prevented from acting as an antenna.
Note) A long conductor will become a more efficient antenna at high frequency.

(b) The earth wire led from the earthing point must be twisted with the power supply wires.
By twisting with the earthing wire, noise flowing from the power supply wires can be relieved to the earthing. However, if a filter is installed on the power supply wires, the wires and the earthing wire may not need to be twisted.

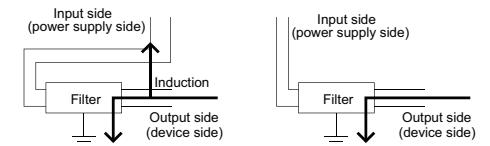
4.1.3 Noise filter (power supply line filter)

The noise filter (power supply line filter) is a device effective to reduce conducted noise. Except some models, installation of a noise filter onto the power supply lines is not necessary. However conducted noise can be reduced if it is installed. (The noise filter is generally effective for reducing conducted noise in the band of 10MHz or less.) Usage of the following filters is recommended.

Model name	FN343-3/05	FN660-6/06	RSHN-2003
Manufacturer	SCHAFFNER	SCHAFFNER	TDK
Rated current	3A	6A	3A
Rated voltage	250V		

The precautions required when installing a noise filter are described below.

- Do not install the input and output cables of the noise filter together to prevent the output side noise will be induced into the input side cable where noise has been eliminated by the noise filter.



- Install the input and output cables together will cause noise induction.
 - Separate the input cable from the output cable.
- Connect the noise filter's ground terminal to the control panel with the shortest cable as possible (approx. 10cm (3.94 in.) or less).

4.2 Requirements for Compliance with the Low Voltage Directive

The Low Voltage Directive requires each device which operates with power supply ranging from 50VAC to 1000V and 75VDC to 1500V to satisfy necessary safety items.

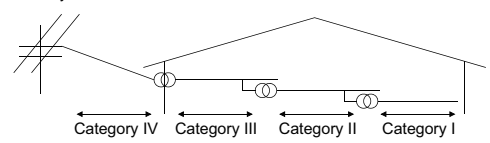
In the Sections from 4.2.1 to 4.2.5, cautions on installation and wiring of the GOT to conform to the Low Voltage Directive requires are described. We have put the maximum effort to develop this material based on the requirements and standards of the Directive that we have collected. However, compatibility of the devices which are fabricated according to the contents of this manual to the above Directive is not guaranteed. Each manufacturer who fabricates such device should make the final judgement about the application method of the Low Voltage Directive and the product compatibility.

4.2.1 Standard subject to GOT

Standard applied to GOT : EN61131-2 Programmable controllers - Equipment requirements and tests
EN60950-1 Safety of Information Technology Equipment

4.2.2 Power supply

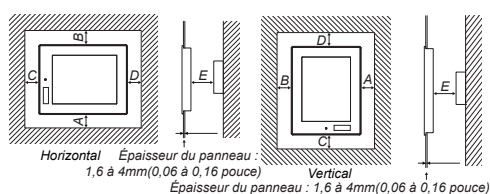
The insulation specification of the GOT was designed assuming installation category II. Be sure to use the installation category II power supply to the GOT.
The installation category indicates the durability level against surge voltage generated by lightning strike.
Category I has the lowest durability; category IV has the highest durability.



Installation category
Category II indicates a power supply whose voltage has been reduced by two or more levels of isolating transformers from the public power distribution.

5.3 Position de montage

Lors du montage du GOT, laissez les espaces suivants pour les autres structures et dispositifs. Certains câbles peuvent être plus longs que les dimensions spécifiées lors de la connexion au GOT.
Par conséquent, prenez également en compte les dimensions du connecteur et le rayon de courbure du câble pour l'installation.
Pour connaître l'espace à laisser pour les câbles sous le GOT, référez-vous au manuel GOT2000 Series User's Manual (Hardware).
Pour l'installation à la verticale, installez le GOT de sorte que la flèche d'installation à la verticale imprimée sur la face arrière du GOT pointe vers le haut.



Laissez les espaces entre le GOT et les autres dispositifs en fonction des dimensions contenues dans le tableau suivant. Les valeurs entre parenthèses s'appliquent au cas où aucun dispositif générant des émissions sonores (comme un contacteur) ou de la chaleur n'est installé près du GOT. Toutefois, maintenez la température ambiante du GOT à 55°C ou moins.

Article	GT2715	GT2712	GT2710	GT2708	GT2705
GOT uniquement	48 (1.89) ou plus[18 (0.71) ou plus]	48 (1.89) ou plus[18 (0.71) ou plus]	48 (1.89) ou plus[18 (0.71) ou plus]	48 (1.89) ou plus[18 (0.71) ou plus]	59(2.32) ou plus
Unité de communication Ethernet encastree	48 (1.89) ou plus[18 (0.71) ou plus]				
Unité de connexion de bus encastree	48 (1.89) ou plus[18 (0.71) ou plus]	48 (1.89) ou plus[18 (0.71) ou plus]	23 (0.91) ou plus [29 (1.14) ou plus]	48 (1.89) ou plus	48 (1.89) ou plus
Unité de connexion série encastree	48 (1.89) ou plus[18 (0.71) ou plus]				
Module de communication CC-Link (GT15-J61B13) encastree	48 (1.89) ou plus[18 (0.71) ou plus]				
Module de communication MELSECNET/H (coaxial) encastree ¹	48(1.89) ou plus [18(0.71) ou plus]	48 (1.89) ou plus [18 (0.71) ou plus]	48 (1.89) ou plus [45 (1.77) ou plus]	67 (2.64) ou plus	81(3.19) ou plus
Module de communication MELSECNET/H (optique) encastree ²	48 (1.89) ou plus[18 (0.71) ou plus]				
Module de communication CC-Link IE TSN encastree	48 (1.89) ou plus[18 (0.71) ou plus]				
Module de communication réseau de contrôleur CC-Link IE encastree	48 (1.89) ou plus[18 (0.71) ou plus]				
Module de communication réseau de champ CC-Link IE encastree	48 (1.89) ou plus[18 (0.71) ou plus]				
Module d'entrée vidéo encastree ¹	48(1.89) ou plus [18(0.71) ou plus]	48 (1.89) ou plus [18 (0.71) ou plus]	48 (1.89) ou plus [45 (1.77) ou plus]	67 (2.64) ou plus	-
Module d'entrée RGB encastree ³	48 (1.89) ou plus[18 (0.71) ou plus]				
Module d'entrée vidéo/RGB encastree ^{1,3}	48(1.89) ou plus [18(0.71) ou plus]	48 (1.89) ou plus [18 (0.71) ou plus]	48 (1.89) ou plus [45 (1.77) ou plus]	67 (2.64) ou plus	-
Module de sortie RGB encastree ³	48 (1.89) ou plus[18 (0.71) ou plus]				
Module multimédia encastree ¹	48(1.89) ou plus [18(0.71) ou plus]	48 (1.89) ou plus [18 (0.71) ou plus]	48 (1.89) ou plus [45 (1.77) ou plus]	67 (2.64) ou plus	-
Imprimante encastree	48 (1.89) ou plus[18 (0.71) ou plus]				
Module d'E/S externe encastree	48 (1.89) ou plus[18 (0.71) ou plus]				
Module de sortie acoustique encastree	48 (1.89) ou plus[18 (0.71) ou plus]				
A	Horizontal: 78 (3.07) ou plus[18 (0.71) ou plus] Vertical: 48 (1.89) ou plus[18 (0.71) ou plus]				
C	Quand la carte SD est utilisée 50 (1.97) ou plus [20 (0.79) ou plus]				
D	Quand la carte SD n'est pas utilisée 50 (1.97) ou plus[20 (0.79) ou plus]				
E	Horizontal: 50 (1.97) ou plus[20 (0.79) ou plus] Vertical: 80 (3.15) ou plus[20 (0.79) ou plus] 100 (3.94) ou plus[20 (0.79) ou plus]				

- Cette valeur est utilisée pour le câble coaxial 3C-2V (JIS C 3501).
Pour connaître les spécifications du câble, référez-vous au manuel GOT2000 Series Connection Manual pour un contrôleur utilisé.
- Cette valeur diffère selon le câble utilisé.
- Cette valeur diffère selon le câble utilisé.
- Si le rayon de courbure du câble utilisé est supérieur à la valeur spécifiée ci-dessus, appliquez la valeur du câble utilisé.
- Pour ouvrir ou fermer le couvercle de la batterie : 72 (2.83) ou plus

4.2.3 Control panel

Because the GOT is open type equipment (device designed to be stored within another device), be sure to use it only when installed in a control panel.

- Shock Protection
In order to prevent those who are unfamiliar with power facility, e.g., an operator, from getting a shock, make sure to take the following measures on the control panel.
(a) Store the GOT within the control panel locked, and allow only those who are familiar with power facility to unlock the panel.
(b) Build the structure in order that the power supply will be shut off when the control panel is opened.
- Dustproof and waterproof features
The control panel also provides protection from dust, water and other substances. Insufficient ingress protection may lower the insulation withstand voltage, resulting in insulation destruction. The insulation in the GOT is designed to cope with the pollution level 2, so use in an environment with pollution level 2 or better.
Pollution level 1: An environment where the air is dry and conductive dust does not exist.
Pollution level 2: An environment where conductive dust does not usually exist, but occasional temporary conductivity occurs due to the accumulated dust. Generally, this is the level for inside the control panel equivalent a control room or on the floor of a typical factory.
Pollution level 3: An environment where conductive dust exists and conductivity may be generated due to the accumulated dust.
An environment for a typical factory floor.
Pollution level 4: Continuous conductivity may occur due to rain, snow, etc. An outdoor environment.

4.2.4 Grounding

The following are applicable ground terminals. Use them in the grounded state.
Be sure to ground the GOT for ensuring the safety and complying with the EMC Directive.

Functional grounding ↓: Improves the noise resistance.

4.2.5 External wiring

- External devices
When a device with a hazardous voltage circuit is externally connected to the GOT, select a model which complies with the Low Voltage Directive's requirements for isolation between the primary and secondary circuits.
- Insulation requirements
Dielectric withstand voltages are shown in the following table.
Reinforced Insulation Withstand Voltage
(Installation Category II, source : IEC6064)

Rated voltage of hazardous voltage area	Surge withstand voltage (1.2/50 μ s)
150 VAC or below	2500V
300 VAC or below	4000V

5. INSTALLATION

5.1 Control Panel Inside Dimensions for Mounting GOT

Install the GOT on the control panel out of the way for the equipment inside the control panel. Do not install the GOT and the unit in prohibited areas for the installation.

Point
Applicable cable Some cables may need to be longer than the specified dimensions when connecting to the GOT. Therefore, consider the connector dimensions and bending radius of the cable as well for installation.

6. MAINTENANCE AND INSPECTION

Refer to the GOT2000 Series User's Manual (Hardware) for maintenance and inspection for the GOT.

Warranty

Mitsubishi Electric will not be held liable for damage caused by factors found not to be the cause of Mitsubishi Electric; machine damage or lost profits caused by faults in the Mitsubishi Electric products; damage, secondary damage, accident compensation caused by special factors unpredictable by Mitsubishi Electric; damages to products other than Mitsubishi Electric products; and to other duties.

For safe use

- This product has been manufactured as a general-purpose part for general industries, and has not been designed or manufactured to be incorporated in a device or system used in purposes related to human life.
- Before using the product for special purposes such as nuclear power, electric power, aerospace, medicine or passenger movement vehicles, consult with Mitsubishi Electric.
- This product has been manufactured under strict quality control. However, when installing the product where major accidents or losses could occur if the product fails, install appropriate backup or failsafe functions in the system.

MITSUBISHI ELECTRIC CORPORATION

HEAD OFFICE : TOKYO BUILDING 2-7-3 MARUNOUCHI, CHYODOKU, TOKYO 100-8310, JAPAN
NAGOYA WORKS : 1-14, YADA-MINAMI 5-CHOME, HIGASHI-KU, NAGOYA, JAPAN

When exported from Japan, this manual does not require application to the Ministry of Economy, Trade and Industry for service transaction permission.

Specifications subject to change without notice.
Printed in Japan, August 2020.