

**MITSUBISHI ELECTRIC**

# GT15 ATTACHMENT

## User's Manual

**GT15-70ATT-98**  
**GT15-70ATT-87**  
**GT15-60ATT-97**  
**GT15-60ATT-96**  
**GT15-60ATT-87**  
**GT15-60ATT-77**  
**GT15-50ATT-95W**  
**GT15-50ATT-85**

Thank you for choosing Mitsubishi Electric Graphic Operation Terminal (GOT).

**Prior to use, please read both this manual and detailed manual thoroughly to fully understand the product.**

MODEL	GT15-ATT-U
MODEL CODE	1D7M02
IB(NA)-0800296-G(1806)MEE	

© 2004 MITSUBISHI ELECTRIC CORPORATION

### [INSTALLATION PRECAUTIONS]

#### CAUTION

- When mounting the attachment to the control panel, tighten clamp screws in the specified torque range so that it will be securely fixed. Failure to do so may cause the attachment to drop from the control panel.
- When mounting the GOT to the attachment, tighten clamp screws in the range of 0.36 to 0.48N·m so that it will be securely fixed. Loose tightening may cause the GOT to drop from the attachment. Overtightening may damage and drop screws and/or GOT, causing the GOT to drop off, fail or malfunction.

### [DISPOSAL PRECAUTIONS]

#### CAUTION

- Dispose of this product as industrial waste.

### Manuals

The following shows manuals relevant to this product.

Detailed Manual

Manual name	Manual number (Type code)
GOT2000 Series User's Manual (Hardware) (Sold separately)	SH-081194ENG (1D7MJ5)
GT16 User's Manual (Hardware) (Sold separately)	SH-080928ENG (1D7MD3)
GT15 User's Manual (Sold separately)	SH-080528ENG (1D7M23)

Relevant Manuals

For relevant manuals, refer to the PDF manuals stored in the GT Designer3 DVD-ROM.

**Referenced Standard: GB/T15969.2**  
**(Requirement of Chinese standardized law)**

### Product Components

The attachment consists of the following items.

Model	Product	Quantity
GT15-70ATT-98	Attachment	1
	Clamp screw (M4x8mm)	4
GT15-70ATT-87	Attachment	1
GT15-60ATT-97	Attachment	1
	Clamp screw (M4x8mm)	4
GT15-50ATT-95W	Attachment	1
	Clamp screw (M4x8mm)	4

### 1. Overview

This User's Manual describes the GT15 panel fixing attachment (hereafter abbreviated to the attachment). The attachment is used for replacing the A985GOT, A97□GOT, A960GOT, A956WGOT, A870GOT, A85□GOT, and A77GOT with the GOT1000 series. Use of the attachment eliminates the need for the additional machining of the control panel or similar enclosure used with the A97□GOT or A960GOT. There are the following attachment types. Refer to GT16 User's Manual or GT15 User's Manual for the applicable GOT.

Product	Model	Description		
Attachment	GT15-70ATT-98	A985GOT <sup>1</sup> →10.4" GOT1000		
	GT15-70ATT-87	A870GOT-SWS, A870GOT-TWS, A8GT-70GOT-TW, A8GT-70GOT-TB, A8GT-70GOT-SW, A8GT-70GOT-SB →10.4" GOT1000		
		GT15-60ATT-97	A97□GOT →8.4" GOT1000	
		GT15-60ATT-96	A960GOT →8.4" GOT1000	
		GT15-70ATT-87	A870GOT-EWS, A8GT-70GOT-EW, A8GT-70GOT-EB, A77GOT-EL-S5, A77GOT-EL-S3, A77GOT-EL →8.4" GOT1000	
	GT15-60ATT-77		A77GOT-CL-S5, A77GOT-CL-S3, C, A77GOT-CL, A77GOT-L-S5, A77GOT-L-S3 →8.4" GOT1000	
			GT15-50ATT-95W	A956WGOT →5.7" GOT1000
			GT15-50ATT-85	A85□GOT →5.7" GOT1000

<sup>1</sup>The GP250□ and GP260□ manufactured by Digital Electronics Corporation can also be replaced with the 10.4" GOT1000.

### 2. Specifications

The following table indicates the performance specifications of the attachment. The general specifications of the attachment are the same as those of the GOT. For the general specifications of the GOT, refer to GT16 User's Manual or GT15 User's Manual. After replacement using the attachment, the replaced GOT does not comply with IP65 (waterproof, dustproof standards), although compliant with IP4X.

Item	Specifications			
	GT15-70ATT-98	GT15-60ATT-97	GT15-60ATT-96	GT15-70ATT-87
Mounting panel thickness	2 to 3 mm (0.08 to 0.12 inch)			
Weight	0.29(0.64)	0.40(0.88)	0.24(0.53)	0.12(0.26)

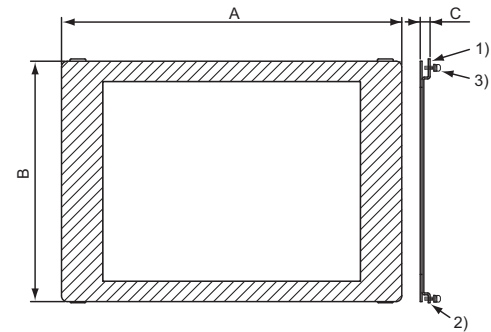
Unit: kg (lb)

Item	Specifications			
	GT15-60ATT-87	GT15-50ATT-95W	GT15-60ATT-97	GT15-60ATT-77
Mounting panel thickness	2 to 3 mm (0.08 to 0.12 inch)			
Weight	0.25(0.55)	0.11(0.24)	0.17(0.37)	0.34(0.75)

Unit: kg (lb)

### 3. Part Names and External Dimensions

(1) GT15-70ATT-98, GT15-60ATT-97, GT15-60ATT-96, GT15-60ATT-87, GT15-60ATT-77



Model name	A	B	C
GT15-70ATT-98	314 (12.4)	240 (9.4)	8.5 (0.3)
GT15-60ATT-97	300 (11.8)	212 (8.3)	8.5 (0.3)
GT15-60ATT-96	270 (10.6)	195 (7.7)	8.5 (0.3)
GT15-60ATT-87	278 (10.9)	195 (7.7)	8.5 (0.3)
GT15-60ATT-77	313 (12.3)	195 (7.7)	8.5 (0.3)

Unit: mm (inch)

No.	Name	Description
1	Upper hook	Hook for hanging the attachment on the control panel upper part.
2	Lower hook	Hook for hanging the attachment on the control panel lower part.
3	Clamp screw	Screw for fixing the attachment to the control panel (M4x8mm)

### ISAFETY PRECAUTIONS

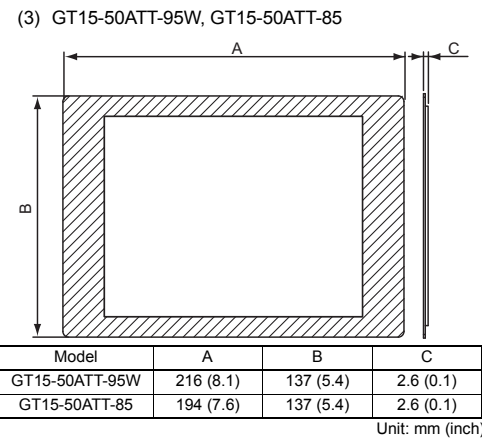
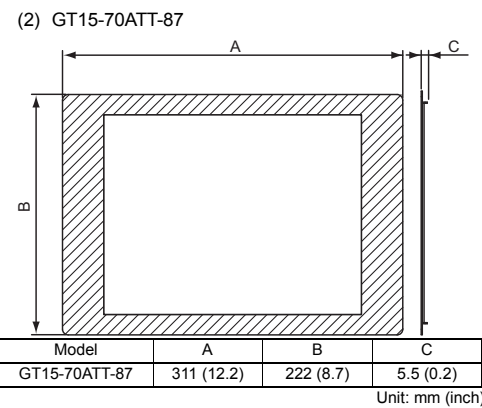
(Always read these precautions before using this equipment.)

Before using this product, please read this manual and the relevant manuals introduced in this manual carefully and pay full attention to safety to handle the product correctly. The precautions given in this manual are concerned with this product. In this manual, the safety precautions are ranked as "DANGER" and "CAUTION".

**WARNING** Indicates that incorrect handling may cause hazardous conditions, resulting in death or severe injury.

**CAUTION** Indicates that incorrect handling may cause hazardous conditions, resulting in medium or slight personal injury or physical damage.

Note that the CAUTION level may lead to a serious accident according to the circumstances. Always follow the precautions of both levels because they are important to personal safety. Please save this manual to make it accessible when required and always forward it to the end user.

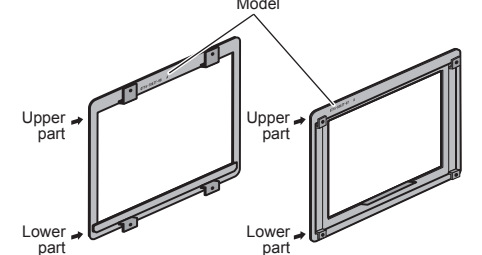


### 4. Installation Procedure

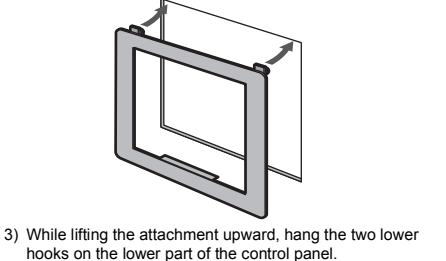
(1) GT15-70ATT-98, GT15-60ATT-97, GT15-60ATT-96, GT15-60ATT-87, GT15-60ATT-77

The following figures show an example of the GT15-60ATT-97 installation. Follow the same procedure for installing the other models.

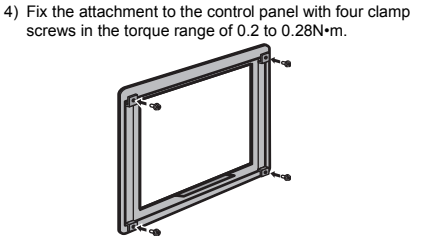
- The model is indicated on the attachment. The upper part of the attachment has the model indication. (Example of model indication)



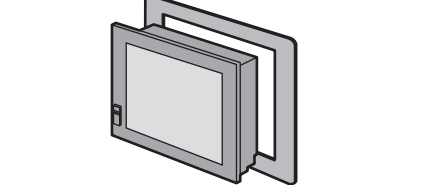
2) Hang the two upper hooks on the upper part over the mounting holes in the control panel. Refer to the figure shown in 1).



3) While lifting the attachment upward, hang the two lower hooks on the lower part of the control panel.



4) Fix the attachment to the control panel with four clamp screws in the torque range of 0.2 to 0.28N·m.



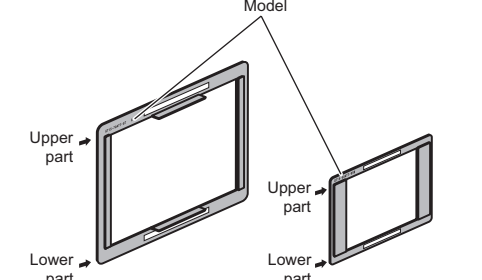
5) Place the GOT into the attachment from the front, and fix it by tightening the mounting screws included with the GOT in the torque range of 0.36 to 0.48N·m.



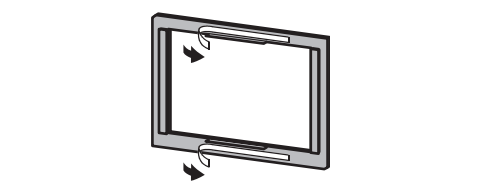
(2) GT15-70ATT-87, GT15-50ATT-95W, GT15-50ATT-85

The following figures show an example of the GT15-70ATT-87 installation. Follow the same procedure for installing the other models.

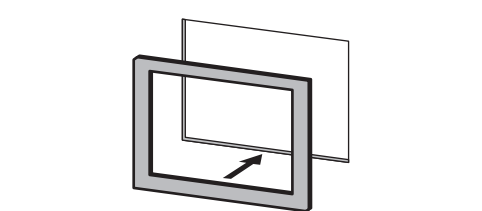
1) The model is indicated on the attachment. The position of the model indication does not affect the performance of the attachment. (Example of model indication)



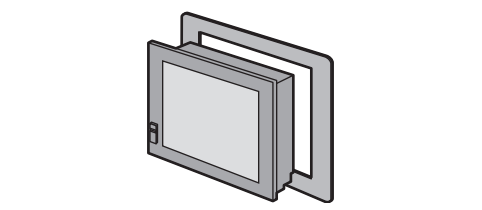
2) Remove two-sided tapes from the rear face of the attachment.



3) Fix the attachment to fit the mounting hole on the control panel. If the control panel is dirty, the attachment might fall, causing an injury. Wipe the control panel, and then install the attachment.



4) Place the GOT into the attachment from the front, and fix it by tightening the mounting screws included with the GOT in the torque range of 0.36 to 0.48N·m.



### Warranty

Mitsubishi Electric will not be held liable for damage caused by factors found not to be the cause of Mitsubishi Electric; machine damage or lost profits caused by faults in the Mitsubishi Electric products; damage, secondary damage, accident compensation caused by special factors unpredictable by Mitsubishi Electric; damages to products other than Mitsubishi Electric products; and to other duties.

- For safe use**
- This product has been manufactured as a general-purpose part for general industries, and has not been designed or manufactured to be incorporated in a device or system used in purposes related to human life.
  - Before using the product for special purposes such as nuclear power, electric power, aerospace, medicine or passenger movement vehicles, consult with Mitsubishi Electric.
  - This product has been manufactured under strict quality control. However, when installing the product where major accidents or losses could occur if the product fails, install appropriate backup or failsafe functions in the system.

Country/Region	Sales office/Tel
USA	Mitsubishi Electric Automation, Inc. 500 Corporate Woods Parkway, Vernon Hills, IL 60061, U.S.A. Tel: +1-847-478-2100
Brazil	Mitsubishi Electric do Brasil Comercio e Servicos Ltda. Avenida Adelino Cardana, 293, 21 andar, Bethaville, Barueri SP, Brasil CEP 06401-147 Tel: +55-11-4889-3000
Mexico	Mitsubishi Electric Automation, Inc. Mexico Branch Mariano Escobedo #69, Col. Zona Industrial, Tlalneantla Edo. Mexico, C.P.54030 Tel: +52-55-3067-7511
Germany	Mitsubishi Electric Europe B.V. German Branch Mitsubishi-Electric-Platz 1, 40882 Ratingen, Germany Tel: +49-2102-486-0
UK	Mitsubishi Electric Europe B.V. UK Branch Travellers Lane, Hatfield, Hertfordshire, AL10 8XB, U.K. Tel: +44-1472-28-8780
Italy	Mitsubishi Electric Europe B.V. Italian Branch Centro Direzionale Coleoni - Palazzo Sirio, Viale Coleoni 7, Agrate Brianza (MB), Italy Tel: +39-039-60531
Spain	Mitsubishi Electric Europe B.V. Spanish Branch Carretera de Rubi 76-80-Appdo.420, 08190 Sant Cugat del Valles (Barcelona), Spain Tel: +34-935-65-3131
France	Mitsubishi Electric Europe B.V. French Branch 25, Boulevard des Bouvets, 92741 Nanterre Cedex, France Tel: +33-1-55-68-65-68
Czech	Mitsubishi Electric Europe B.V. Czech Branch Avenir Business Park, Radlicka 751/113e, 158 00 Praha 5, Czech Republic Tel: +420-251-551-470
Turkey	Mitsubishi Electric Turkey A.S. Umraniyeh Branch Serifali Mahallesi Nutuk Sokak No.5, TR-34775 Umraniyeh / Istanbul, Turkey Tel: +90-216-526-3990
Poland	Mitsubishi Electric Europe B.V. Polish Branch ul. Krakowska 50, 32-063 Balice, Poland Tel: +48-12-347-65-00
Russia	Mitsubishi Electric (Russia) LLC St. Petersburg Branch Piskarevsky pr. 2, bld 2, lit "Sch", BC "Benusa", office 720; RU-195027 St. Petersburg, Russia Tel: +7-812-633-3497
South Africa	Adroit Technologies 20 Waterford Office Park, 189 Wilkopp Road, Fourways, Johannesburg, South Africa Tel: +27-11-458-8100
China	Mitsubishi Electric Automation (China) Ltd. No.1386 Hongqiao Road, Mitsubishi Electric Automation Center, Shanghai, China Tel: +86-21-2322-3030
Taiwan	SETSUYO ENTERPRISE CO., LTD. 6F, No.105, Wugong 3rd Road, Wugong District, New Taipei City 24889, Taiwan Tel: +886-2-2299-2499
Korea	Mitsubishi Electric Automation Korea Co., Ltd. 7F-8F, Gangseo Hangang Xi-tower A, 401, Yangcheon-ro, Gangseo-Gu, Seoul 07526, Korea Tel: +82-2-3660-9530
Singapore	Mitsubishi Electric Asia Pte. Ltd. 307 Alexandra Road, Mitsubishi Electric Building, Singapore 159943 Tel: +65-6473-2308
Thailand	Mitsubishi Electric Factory Automation (Thailand) Co., Ltd. 12th Floor, S.V. City Building, Office Tower 1, No. 896/19 and 20 Rama 3 Road, Kwaeng Bangpoo, Khet Yama, Bangkok 10120, Thailand Tel: +66-2682-6522 to 31
Indonesia	PT. Mitsubishi Electric Indonesia Gedung Jaya 11th Floor, J.L. MH. Thamrin No.12, Jakarta Pusat 10340, Indonesia Tel: +62-21-3192-6481
Vietnam	Mitsubishi Electric Vietnam Co. LTD. Ho Chi Minh Head Office Unit 01-04, 10th Floor, Vincom Center, 72 Le Thanh Ton Street, District 1, Ho Chi Minh City, Vietnam Tel: +84-8-3910-5945
India	Mitsubishi Electric India Pvt. Ltd. Pune Branch Emerald House, EL-3, Block, M.I.D.C., Bhosari, Pune - 411026, Maharashtra, India Tel: +91-20-2710-2000
Australia	Mitsubishi Electric Australia Pty. Ltd. 348 Victoria Road, P.O. Box 11, Rydalmere, N.S.W. 2116, Australia Tel: +61-2-9684-7777

**MITSUBISHI ELECTRIC CORPORATION**  
 HEAD OFFICE: TOKYO BUILDING, 2-7-3 MARUNOUCHI, CHIYODA-KU, TOKYO 100-8310, JAPAN  
 NAGOYA WORKS: 1-14, YADA-MINAMI 5-CHOME, HIGASHI-KU, NAGOYA, JAPAN

When exported from Japan, this manual does not require application to the Ministry of Economy, Trade and Industry for service transaction permission.  
 Specifications subject to change without notice.  
 Printed in Japan, June 2018.