

ME96SS Ver.B Series

MITSUBISHI ELECTRIC CORPORATION



ME96SS Ver.B Series

1.Specifications

Items		Current model			New model		
		ME96SSEA-MB	ME96SSRA-MB	ME96SSHA-MB	ME96SSEB-MB	ME96SSRB-MB	ME96SSHB-MB
Dimensions H x W x D		96 x 96 x 90(mm)			<u>96 x 96 x 36(mm)</u>	96 x 96 x 90(mm)	
Screen display		6 digits x 3lines 1 bar graph			<u>4 digits x 3lines</u> <u>6 digits x 1lines</u> ※No bar graph		
Wide viewing angle LCD		-	-	-	-	<u>○</u>	<u>○</u>
Measurement item	A,V	±0.5%	±0.2%	±0.1%	±0.5%	±0.2%	±0.1%
	W	±0.5%	±0.5%	±0.2%	±0.5%	±0.5%	±0.2%
	var	—	±0.5%	±0.2%	<u>±0.5%</u>	±0.5%	±0.2%
	VA	—	±0.5%	±0.2%	<u>±0.5%</u>	±0.5%	±0.2%
	PF	±0.5%	±0.5%	±0.2%	±0.5%	±0.5%	±0.2%
	Hz	±0.2%	±0.1%	±0.1%	±0.2%	±0.1%	±0.1%
	Wh	class0.5S	class0.5S	class0.5S	class0.5S	class0.5S	class0.5S
	varh	—	class1S	class1S	<u>class1S</u>	class1S	class1S
	VAh	—	±2.0%	±2.0%	<u>±2.0%</u>	±2.0%	±2.0%
	Harmonic (A,V)	Total (2 nd to 19 th)	Total (2 nd to 19 th), Individual (1 st to 19 th , odd only)	Total (2 nd to 31 st), Individual (1 st to 31 st , odd only)	Total (2 nd to 19 th)	Total (2 nd to 19 th), Individual (1 st to 19 th , odd only)	Total (2 nd to 31 st), Individual (1 st to 31 st , odd only)
Demand function		A(thermal)	A(thermal), W,var,VA (rolling, fix)	A(thermal), W,var,VA (rolling, fix)	A(thermal)	A(thermal), W,var,VA (rolling, fix)	A(thermal), W,var,VA (rolling, fix)
Internal logging		-	-	-	-	<u>256kB</u>	<u>256kB</u>
Incorrect wiring determination support function		-	-	-	<u>○</u>	<u>○</u>	<u>○</u>

2.Outline



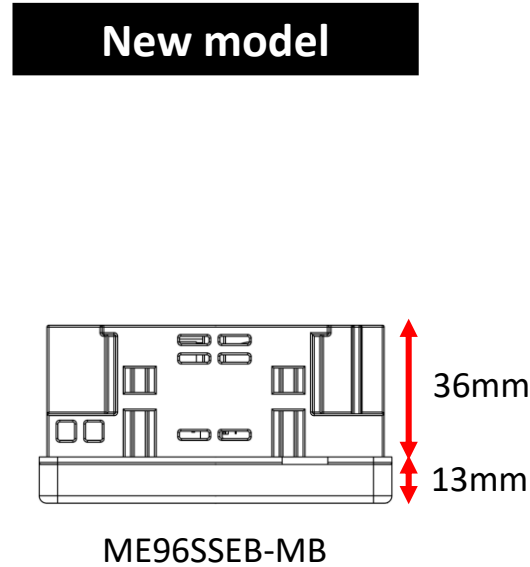
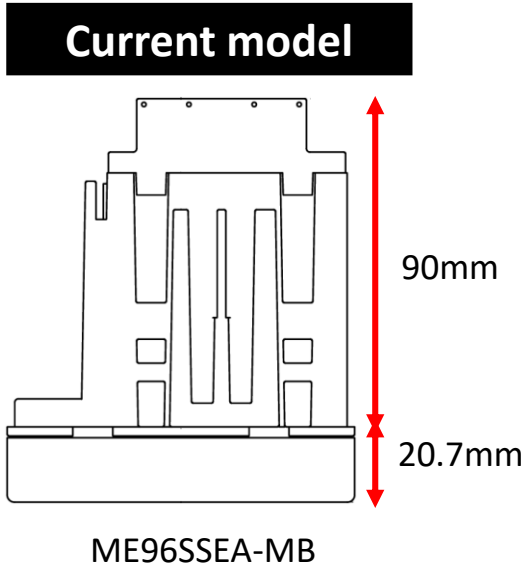
ME96SSEB-MB



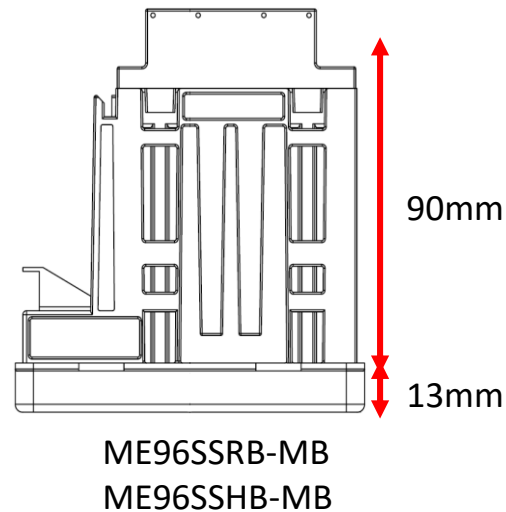
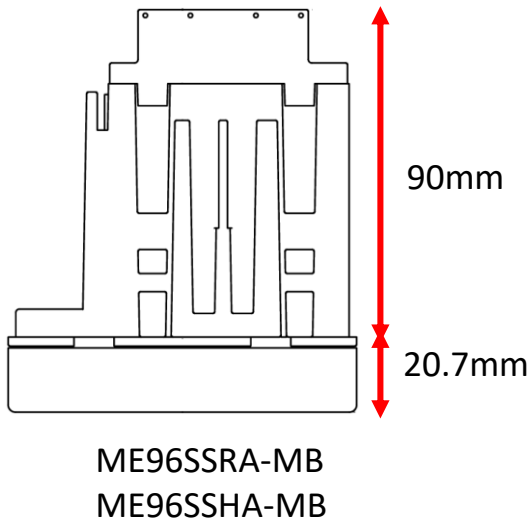
ME96SSRB-MB/ME96SSHB-MB

ME96SS Ver.B Series

3. Compact size (ME96SSEB-MB)



It contributes to space saving!



It is almost same size.

ME96SS Ver.B Series

4. Measurable items increased (ME96SSEB-MB)

A,V,W,PF,Hz,Wh + var, VA, varh, VAh

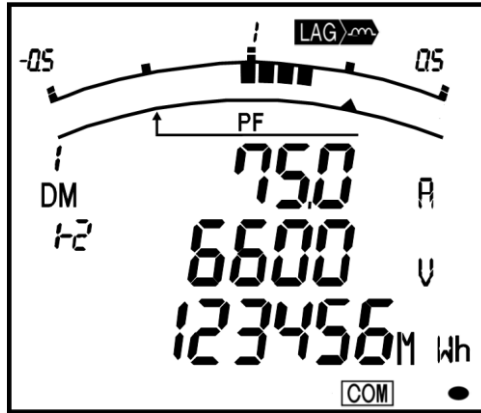
The range of application is expanded!

Items		Current model			New model		
		ME96SSEA-MB	ME96SSRA-MB	ME96SSHA-MB	ME96SSEB-MB	ME96SSRB-MB	ME96SSHB-MB
Measurement item	A,V	±0.5%	±0.2%	±0.1%	±0.5%	±0.2%	±0.1%
	W	±0.5%	±0.5%	±0.2%	±0.5%	±0.5%	±0.2%
	var	—	±0.5%	±0.2%	<u>±0.5%</u>	±0.5%	±0.2%
	VA	—	±0.5%	±0.2%	<u>±0.5%</u>	±0.5%	±0.2%
	PF	±0.5%	±0.5%	±0.2%	±0.5%	±0.5%	±0.2%
	Hz	±0.2%	±0.1%	±0.1%	±0.2%	±0.1%	±0.1%
	Wh	class0.5S	class0.5S	class0.5S	class0.5S	class0.5S	class0.5S
	varh	—	class1S	class1S	<u>class1S</u>	class1S	class1S
	VAh	—	±2.0%	±2.0%	<u>±2.0%</u>	±2.0%	±2.0%
	Harmonic (A,V)	Total (2 nd to 19 th)	Total (2 nd to 19 th), Individual (1 st to 19 th , odd only)	Total (2 nd to 31 st), Individual (1 st to 31 st , odd only)	Total (2 nd to 19 th)	Total (2 nd to 19 th), Individual (1 st to 19 th , odd only)	Total (2 nd to 31 st), Individual (1 st to 31 st , odd only)
Demand function		A(thermal)	A(thermal), W,var,VA (rolling, fix)	A(thermal), W,var,VA (rolling, fix)	A(thermal)	A(thermal), W,var,VA (rolling, fix)	A(thermal), W,var,VA (rolling, fix)

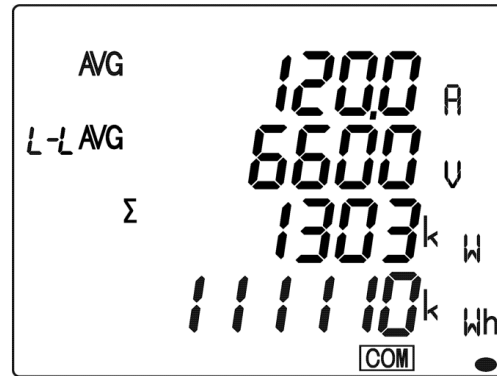
ME96SS Ver.B Series

5. Four-items can be displayed (ME96SSEB-MB,ME96SSRB-MB,ME96SSHB-MB)

Current model



New model



4 values can be displayed at the same time!

6. Incorrect wiring determination support function

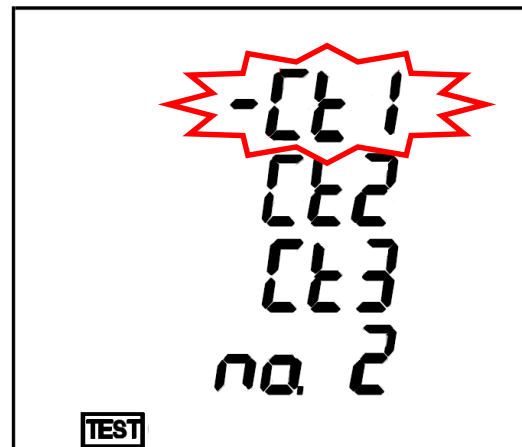
(ME96SSEB-MB,ME96SSRB-MB,ME96SSHB-MB)

New model

Test mode



Normal



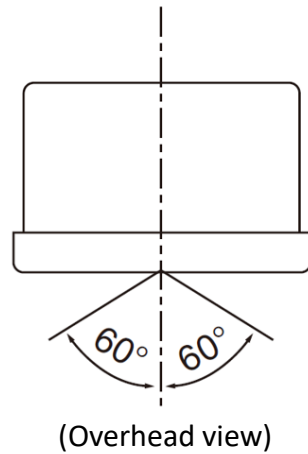
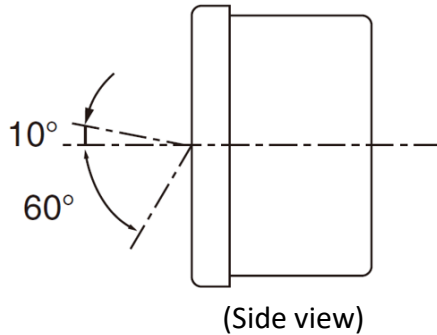
Connection of CT1
is reversed

Wiring confirmation is possible!

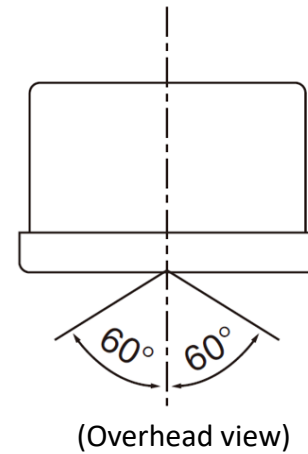
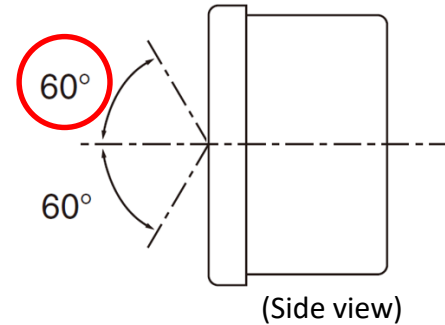
ME96SS Ver.B Series

7. Wide viewing angle LCD(reference) (ME96SSRB-MB/ME96SSHB-MB)

Current model



New model



Installation position is not restricted!

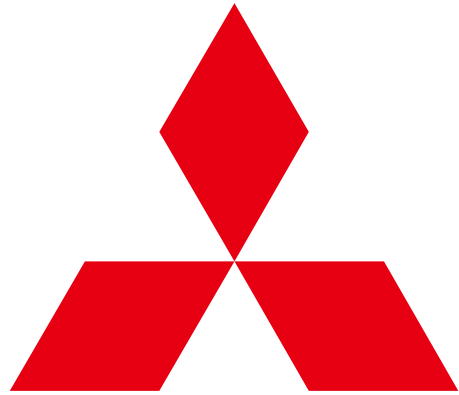
8. Internal logging function(ME96SSRB-MB/ME96SSHB-MB)

Item		Specifications
Logging mode		Automatic refresh (Automatic overwrite/refresh)
Amount of logging element	Measurement data	Integrated value data: Max. of 5elements Other measured value data: Max. of 15elements
	Alarm data	Max. of 4 elements
	MAX/MIN value data	19 elements
<u>Intenal</u> memory Logging period	Measurement data	Cycle:15min - 30days Cycle:30min - 60days Cycle:60min - 120days
	Alarm data	100 records
	MAX/MIN value data	1 record (For each MAX/MIN items)
System log data		100 records
Logging data acquisition method		MODBUS RTU

It is useful for data backup !

9.Others (ME96SSRB-MB/ME96SSHB-MB)

Items	Current model	New model
Periodic active energy	2term	3term
Measuring function of demand value	▪ Last demand value	<ul style="list-style-type: none"> ▪ Present demand value ▪ Predicted demand value ▪ Last demand value



**MITSUBISHI
ELECTRIC**

Changes for the Better